

110 WRING BLOCKS

P/N: WB100-A4

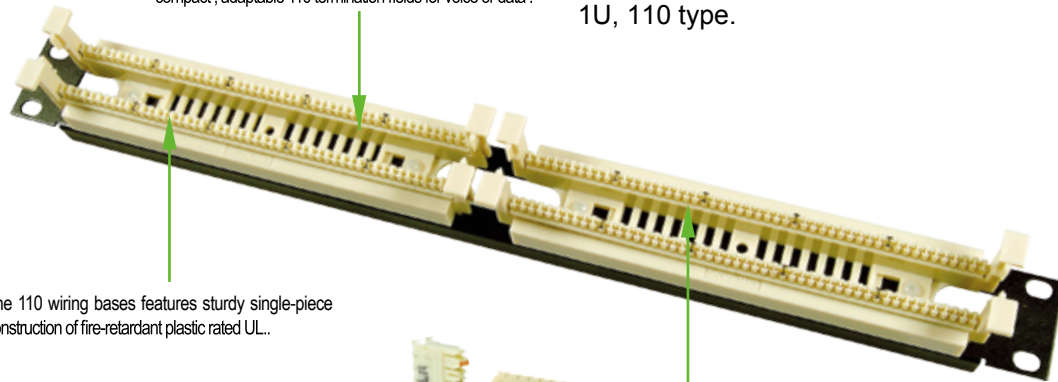
S/N: C07-010

P/N: WB100-A4

compact, adaptable 110 termination fields for voice or data.

PATCH PANEL, CAT5E, UTP, 19inch, 100pairs, 1U, 110 type.

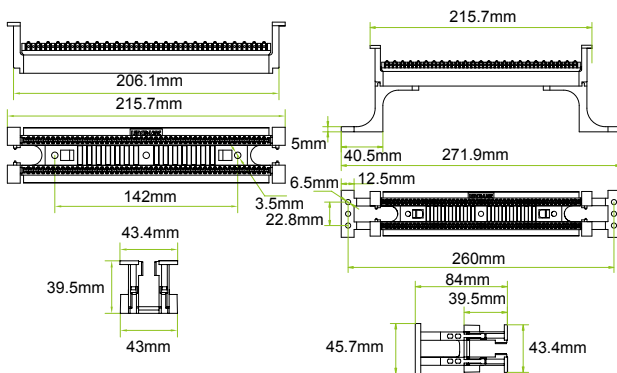
The 110 wiring bases features sturdy single-piece construction of fire-retardant plastic rated UL.



P/N: CBB04

P/N: CBB05

PRODUCT FIGURE



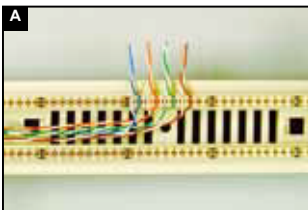
DESCRIPTION

Wall-mount 110 wiring blocks create compact, adaptable 110 termination field for voice and data by mounting 110 wiring bases to the wall or a backboard. Bases come in 50-, 100- or 300-pair densities. The 50-pair bases may be ordered with or without standoff legs which provide more room behind the base for cable.

APPLICATION

- Type : 50 pairs rack mount 110 wiring block
Available with legs or without legs to the wiring base
- Easy to adjust, easy to embed wires in
- Wiring blocks are designed to support voice and high-speed data application
- Offering a reliable and economical high-density system
- The terminal blocks accommodate 22-26 AWG with a insulation diameter of 0.4-0.64 mm
- IDC contact material : phosphor bronze with tin plating over nickel
Available with T568 A .T568 B wiring pattern

INSTALLMENT UNSTRUCTIONS



Insert each wire into the appropriate channel.



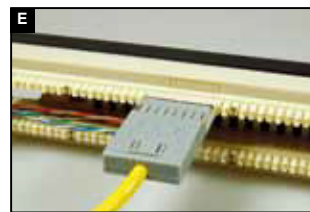
Terminate wires using Linkbasic tool (P/N: TLB01) or equivalent.



4-pair impact tool seats connecting blocks.

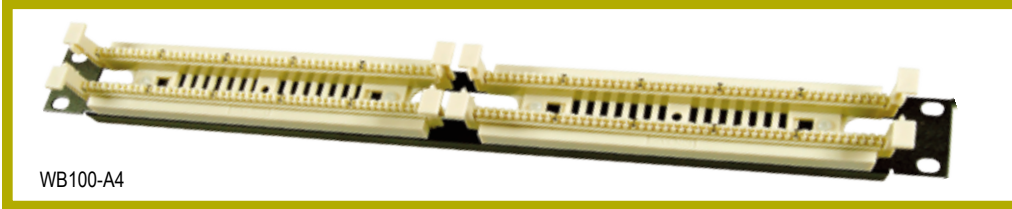


Install connecting block in the wiring block tightly.



Insert patch plug into connecting block, and ensure them in tight connection.

110 WRING BLOCKS P/N: WB100-A4



WB100-A4

100 pair rank mount wring block

ORDER INFORMATION

Part number	Description	Standard Color	Inner box	Carton	Carton measurement	Carton weight
WB100-A4	100 pair rank mount wring block	Beige	1PC	10PCS	L 53.5cm×W 31.3cm×H 23.4cm	9.00KG