

1U CABLE MANAGEMENT

P/N: MTC04

S/N: C08-015

DESCRIPTION

- The horizontal cable management can be used with all patch panels, rack and cabinet mount products. It mounts on standard 19" racks or cabinets and provided a clean, beautiful and simple means of organizing from small to large bundles of cables and patch cord.

FEATURES

- Feature: Standard EIA 19" rack and Cabinet mount
- Management improves the look of a closet or workstation , it is an essential element For easy adds , moves or changes , it is also crucial to maintaining cable integrity by Ensuring resisted steel and ABS
- Light weight ,easy to install or removal
- The panel is configured with 24 rings
- Color: black anodized
- Custom-made cable management is acceptable

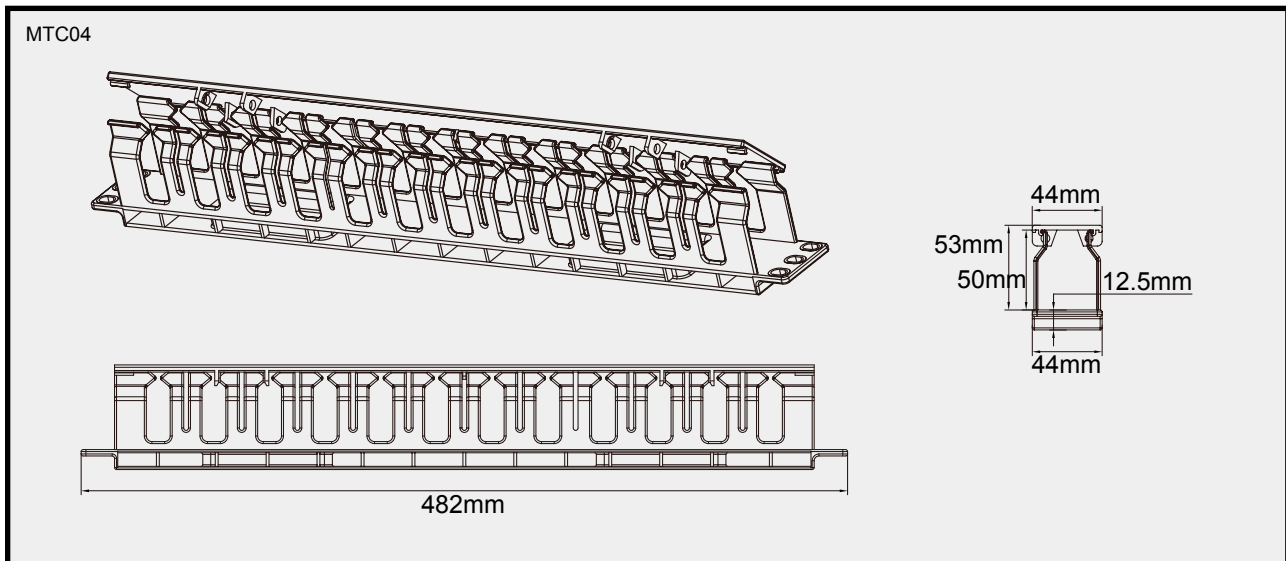
CABLE MANAGEMENT, plastic, 19inch, 1U, 24rings, black color.



MTC04

1U cable management

PRODUCT FIGURE



ORDER INFORMATION

Part number	Description	Standard Color	Inner box	Carton	Carton measurement	Carton weight
MTC04	1U cable management	Black	1PC	10PCS	L 53.6cm× W 31.3cm × H 24.6cm	4.80KG