

### DESCRIPTION

- Made available for managing cable with horizontal or vertical style in standard 19" cabinet ,according to 19" cabinet standard.

### FEATURES

- Self-designing shape, terse and compact
- Provide flexible , effective and safe management , make the cabling terse and compact, and easy for construction
- Black color of the product can fit to all the other Data center equipments

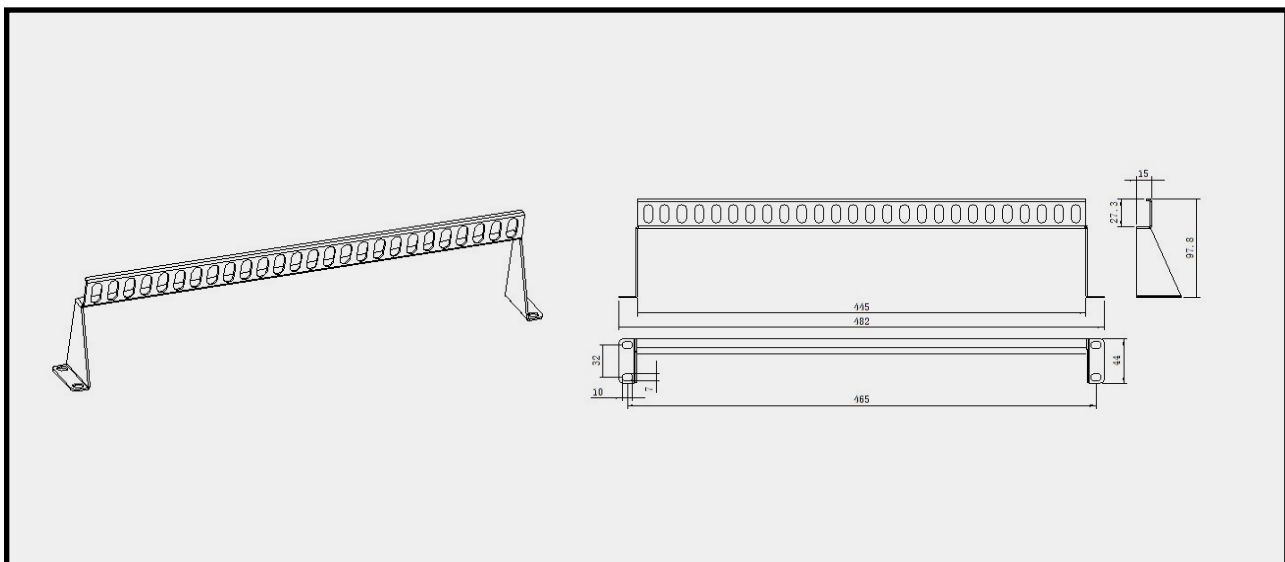
CABLE MANAGEMENT, 19inch, 1U, black color.



MTD01

1U cable management

### PRODUCT FIGURE



### ORDER INFORMATION

Part number	Description	Standard Color	Inner box	Carton	Carton measurement	Carton weight
MTD01	1U cable management	Black	1PC	10PCS	L 53.6cm× W 31.3cm × H 24.6cm	3.8KG