

ST-ST SIMPLEX ADAPTER

P/N:FFC11-1

S/N:F05-001

ADAPTER, Simplex, ST-ST, Yellow.



FFC11-1

ST-ST
Simplex Adapter

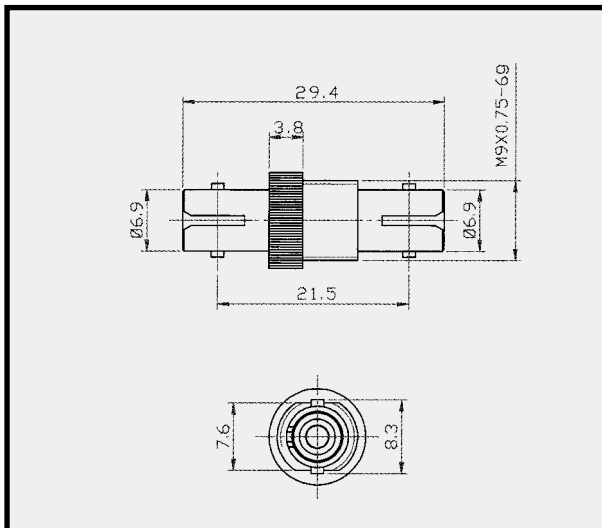
DESCRIPTION

Compliant with : ANSI , Bellcore, TIA/EIA standards .
Low insertion and high return loss .
Excellent repeatability and changeability .
Simplex and duplex available .

APPLICATION

- Telecommunication networks
- CATV networks
- Active device termination
- Local area networks

PRODUCT FIGURE



ORDER INFORMATION

Part number	Description	Standard Color	Inner box	Carton	Carton measurement
FFC11-1	ST-ST Simplex Adapter	Yellow	50PCS	500PCS	L 53.5cm×W 31.3cm×H 23.4cm