

UK STYLE FACEPLATE

P/N: OUD21

S/N: C08-001

DESCRIPTION

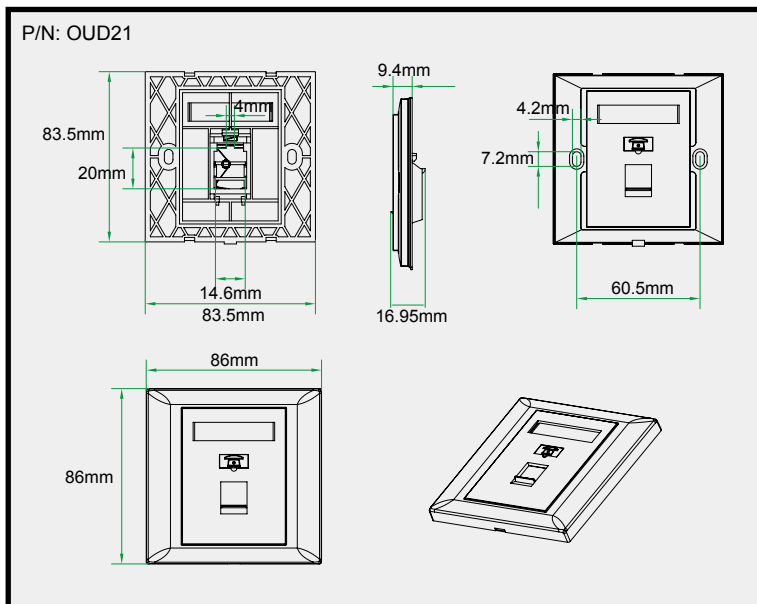
The wall plate is made from high-impact ABS plastic, making for years of durable use. Each delivers high speed of for all your high-speed applications to the desktop. Perfectly blends into the decor of your home or office. Protects and hides your network connections. Accepts all keystone inserts. Standard 110 type IDC termination makes installation fast and easy.

FACE PLATE, PC or ABS, white or Ivory, 1 port, fit for RJ45 keystone jack.

APPLICATION

- One ,two , four and six ports
- Designed for for Cat 5e or Cat 6 performance and meet EIA/TIA specifications
- Fit for RJ45 keystone jack outlet plates
- Packing includes the modular faceplate and two mounting screws for Installation
- Material: PC or ABS
- Color: white or Ivory

PRODUCT FIGURE



One port UK faceplate

INSTALLMENT UNSTRUCTIONS



The back of the faceplate.



Carefully seat the jacks over the back of the faceplate.



Align the jack to the slot.

ORDER INFORMATION

Part number	Description	Inner box	Carton	Carton measurement	Carton weight
OUD21	One port UK faceplate	15PCS	150PCS	L 53.5cm×W 31.3cm×H 23.4cm	8.00KG