



OUF11-2

2-Port ST Fiber Faceplate

FIBER FACE PLATE, PC or ABS, white or Ivory, 2 core, fit for ST adapter,Duplex.

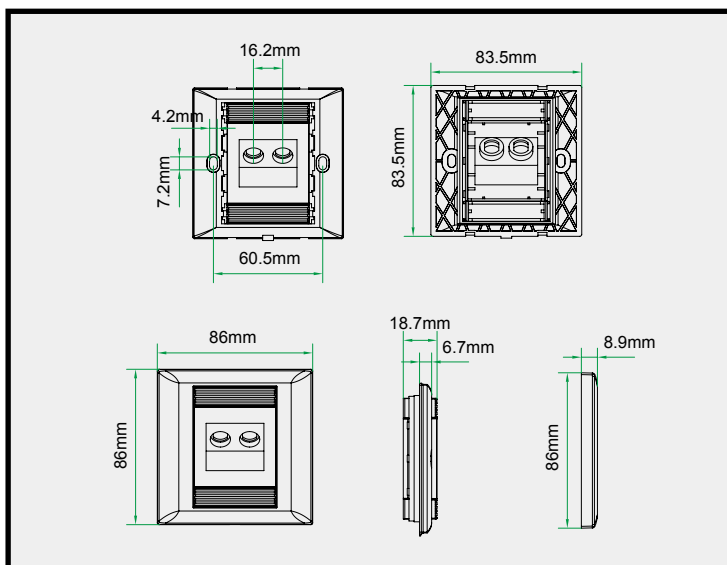
DESCRIPTION

This fiber coupler line consists of MT-RJ, LC, SC, ST and SC, adapters available in 2 a fiber versions. angled versions are available with our patented gravity-feed design for controlling the bend radius of fiber cables. All fiber adapters are "universal" to support either multimode or single , all fiber adapters are "universal" to support conne either multimode or single.

APPLICATION

- This fiber coupler line consists of MT-RJ, LC, SC, ST and SC/ST hybrid Adapters available in 2 a fiber versions
- Angled versions are available with our patented gravity-feed design for Controlling the bend radius of the fiber cable
- All fiber adapters are "universal" to support either multimode or single mode fiber connections

PRODUCT FIGURE



ORDER INFORMATION

Part number	Description	Standard Color	Inner box	Carton	Carton measurement	Carton weight
OUF11-2	2-Port ST Fiber Faceplate	White	15PCS	150PCS	L 53.5cm×W 31.3cm×H 23.4cm	6.50KG