

## CAT 5E FTP KEYSTONE JACKS

P/N: JKB06-SC5E

S/N: C05-003

### DESCRIPTION

- As part of LINKBASIC Cat5E FTP solution, Cat5E FTP Keystone jacks' performance exceeds all requirements for Cat5E components, including NEXT, FEXT, attenuation, and return loss; guarantees 250MHZ broadband transmission, long-term reliability and stability; suitable for connection between workspace and Equipment room.

### FEATURES

- Exquisite and compact appearance.
- Unique design of balance circuit board and line pair decrease cross talk and increase allowance.
- Whole zinc-alloy shielding coat comply with Industry code of conduct.
- Available in both T568A/B wiring. Wire map are printed clearly on jacks.
- 250MHZ available bandwidth provides more allowance than Cat6A.
- Beyond comparison 1.2 GB/s transmission rate, the highest in industry
- Backward compatibility for Cat5
- Unique design of IDC terminating protective cap make wiring-free conveniently, complying with human engineering.
- One-wire type IDC terminating interface with swiftly separating wire pair make installation easy and suitable for various installation circumstances.
- High-strength PC material for terminating housing ensure more than 250times terminating.
- Clearly coding T568A/B coding prevents mistaken terminating.
- Latch design on terminating protective cap can prevent cable from over bending or falling off after termination, and prevent contact point from damage.

### APPLICATION

- Communication outlet
- Multi-user communication outlet
- Concentration point

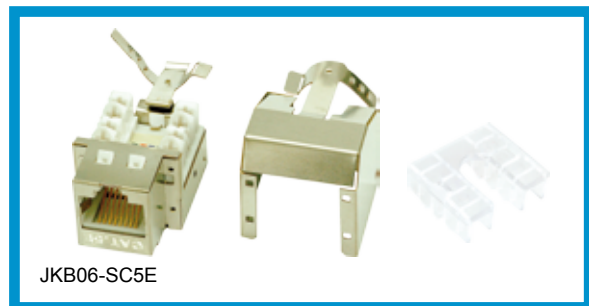
### SPECIFICATION

- Suitable for 23AWG cable
- IDC terminating interface
- Durability: 1500 times plugging  
250 times terminating

### PHYSICAL CHARACTERISTICS

- IDC interface
- IDC clip: phosphor bronze.
- Module style jack socket
- Contact: phosphor bronze with 50 $\mu$ " gold plating

KEYSTONE JACK, CAT5E, FTP, T568A/B, 8 Positions 8 conductors, accept 22-26AWG conductors, different colors,90degree.



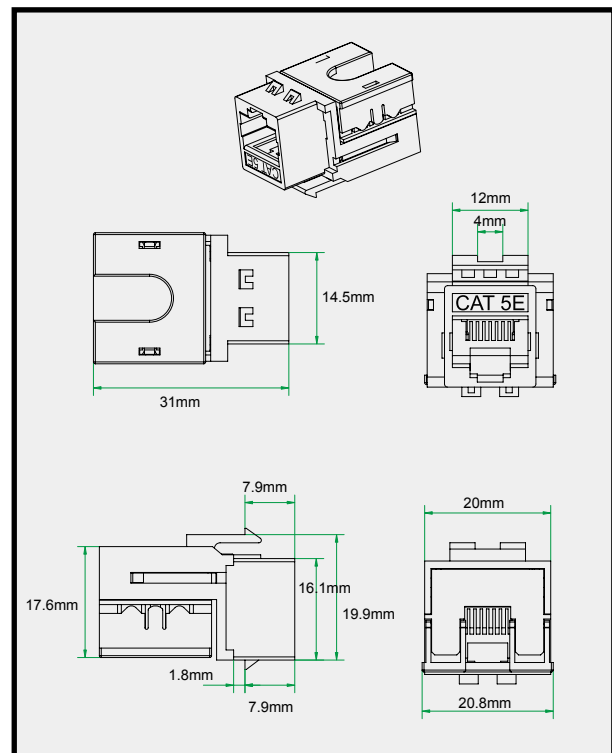
JKB06-SC5E

CAT 5E FTP KEYSTONE JACKS (90 degree)

### ELECTRICAL CHARACTERISTICS

Dielectric strength	1,000V RMS 60Hz/1min
Rated current	Maximum 1.5A
Insulation resistance(minimum)	500megohm
Contact resistance(maximum)	100milliohm

### PRODUCT FIGURE





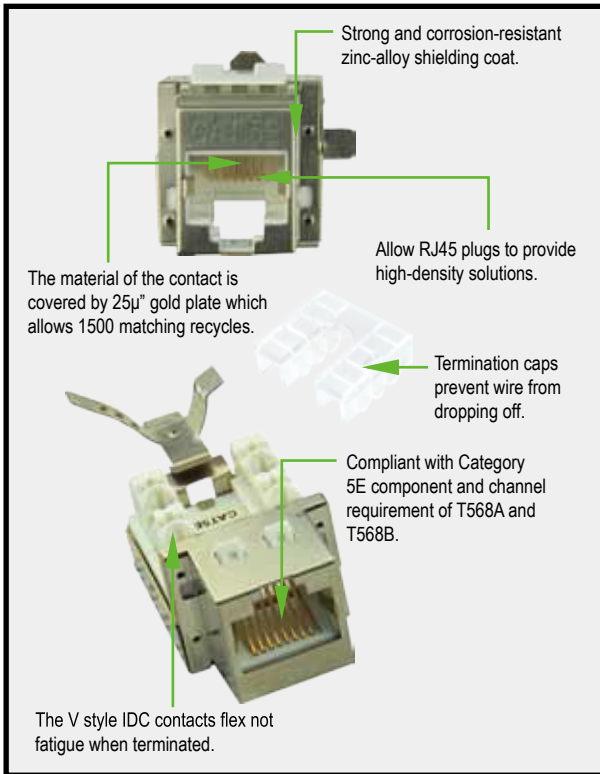
LINKBASIC

# CAT 5E FTP SYSTEM PRODUCTS

## CAT 5E FTP KEYSTONE JACKS

P/N: JKB06-SC5E

### PRODUCT FIGURE



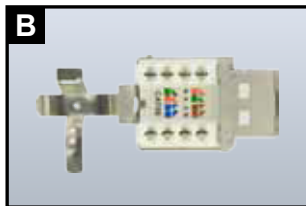
### TRANSMISSION PERFORMANCE

Frequency (MHz)	Insertion loss (Db)	Next (Db)	PSNext (Db)	RL (Db)
1	0.02	86.3	58.1	87.0
4	0.03	75.8	48.5	76.3
8	0.04	70.2	43.2	70.4
10	0.03	68.6	42.0	68.8
16	0.2	65.0	38.2	64.5
20	0.09	63.2	36.4	62.7
25	0.08	61.4	34.8	60.8
31.25	0.05	59.7	32.9	58.6
62.5	0.07	54.4	27.2	52.3
100	0.09	50.7	23.7	47.3

### INSTALLATION INSTRUCTIONS



A Strip approximate 4cm of the cable jacket.



B View the T568A/T568B wiring scheme.



C Insert each wire into the appropriate channel according to the color code on the module.



D Cut the surplus wires.



E Put the cap into keystone jack according to the color code.



F Lock the side caps of the keystone jack.



G Insert the front part in place.



H Finish the installation.

### ORDER INFORMATION

Part number	Description	standard color	Inner box	Carton	Carton measurement	Carton weight
JKB06-SC5E	Cat5e shielded keystone jacks (90 degree)	Silver	20PCS	200PCS	L 53.5cm×W 31.3cm×H 23.4cm	5.60KG

CAT 5E FTP KEYSTONE JACKS

Copper solution



LINKBASIC

WWW.LINKBASIC.COM