



FC-FC
Simplex Adapter

ADAPTER, Simplex, FC-FC,Red.

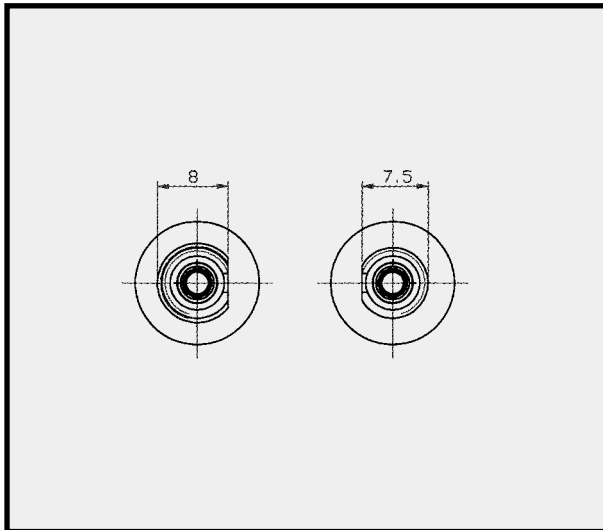
DESCRIPTION

Compliant with : ANSI , Bellcore, TIA/EIA standards .
Low insertion and high return loss .
Excellent repeatability and changeability .
Simplex and duplex available .

APPLICATION

- Telecommunication networks
- CATV networks
- Active device termination
- Local area networks

PRODUCT FIGURE



ORDER INFORMATION

Part number	Description	Standard Color	Inner box	Carton	Carton measurement
FFC33-1	FC-FC Simplex Adapter	Red	50PCS	500PCS	L 53.5cm×W 31.3cm×H 23.4cm