

DESCRIPTION

- As part of LINKBASIC Cat6 FTP solution, Cat6 FTP Keystone jacks' performance exceeds all requirements for Cat6 components, including NEXT, FEXT, attenuation, and return loss; guarantees 350MHZ broadband transmission, long-term reliability and stability; suitable for connection between workspace and Equipment room.

FEATURES

- Exquisite and compact appearance.
- Unique design of balance circuit board and line pair decrease cross talk and increase allowance.
- Shielding coat comply with Industry code of conduct.
- Available in both T568A/B wiring. Wire map are printed clearly on jacks.
- 350MHZ available bandwidth provides more allowance than Cat6.
- Beyond comparison 4.8 GB/s transmission rate, the highest in industry
- Backward compatibility for cat5E and Cat5
- Unique design of IDC terminating protective cap make wiring-free conveniently, complying with human engineering.
- One-wire type IDC terminating interface with swiftly separating wire pair make installation easy and suitable for various installation circumstances.
- High-strength PC material for terminating housing ensure more than 250times terminating.
- Clearly coding T568A/B coding prevents mistaken terminating.
- Latch design on terminating protective cap can prevent cable from over bending or falling off after termination, and prevent contact point from damage.

APPLICATION

- Communication outlet
- Multi-user communication outlet
- Concentration point
- Jack-style patch panel

SPECIFICATION

- Suitable for 23AWG cable
- IDC terminating interface
- Durability: 1500 times plugging
250 times terminating

PHYSICAL CHARACTERISTICS

- IDC interface
- IDC clip: phosphor bronze.
- Module style jack socket
- Contact: phosphor bronze with 50 μ " gold plating

KEYSTONE JACK, CAT6, FTP, T568A/B, 8 Positions
8 conductors, accept 22-26AWG conductors,
different colors,180degree,tool-free.



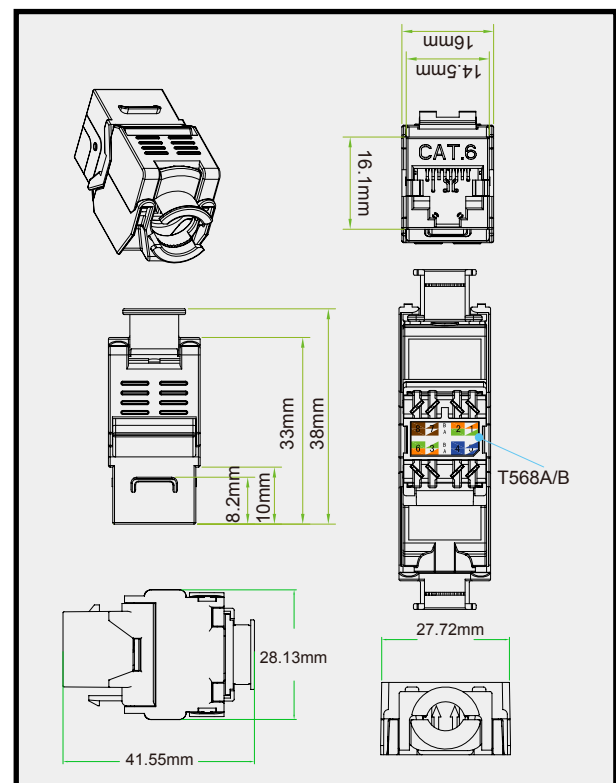
JKS09-SC6

CAT 6 FTP KEYSTONE JACKS (180degree, tool-free)

ELECTRICAL CHARACTERISTICS

Dielectric strength	1,000V RMS 60Hz/1min
Rated current	Maximum 1.5A
Insulation resistance(minimum)	500megohm
Contact resistance(maximum)	100milliohm

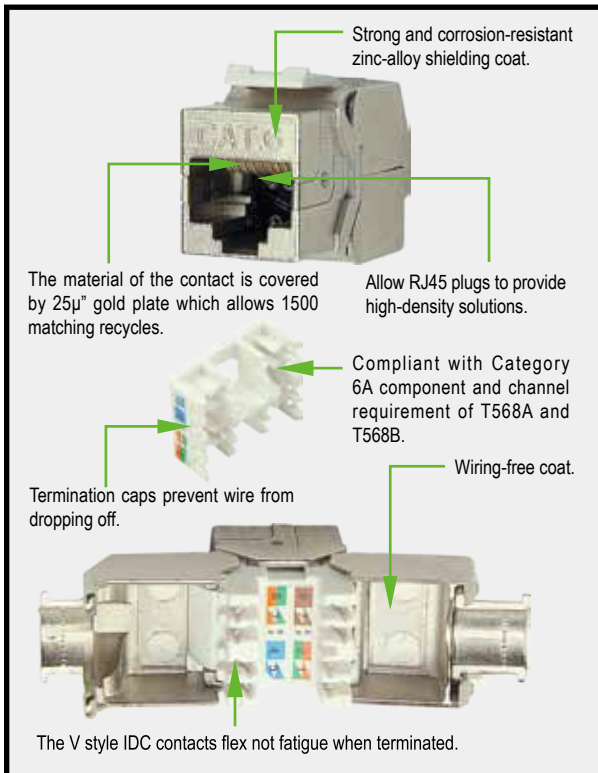
PRODUCT FIGURE



CAT 6 FTP KEYSTONE JACK

P/N:JKS09-SC6

PRODUCT FIGURE



TRANSMISSION PERFORMANCE

frequency (MHz)	Insertion loss (Db)	Next (Db)	PSNext (Db)	RL (Db)
1	0.06	84.3	83.4	52.1
4	0.06	79.8	74.5	53.3
8	0.06	77.1	69.1	55.0
10	0.07	76.1	67.3	55.7
16	0.07	71.7	62.5	57.2
20	0.08	71.6	61.4	59.1
25	0.08	68.8	59.3	58.9
31.25	0.09	67.4	57.9	56.3
62.5	0.10	61.2	52.3	41.8
100	0.10	57.4	48.4	32.7
200	0.10	52.2	41.9	20.9
250	0.16	47.6	39.8	17.1

INSTALLATION INSTRUCTIONS



Strip approximate 4cm of the cable jacket.



View the T568A/T568B wiring scheme.



Insert each wire into the appropriate channel according to the color code on the module.



Cut the surplus wires.



Put the cap into keystone jack according to the color code.



Lock the side caps of the keystone jack.



Tighten the cable tie.



Finish the installation.

ORDER INFORMATION

Part number	Description	standard color	Inner box	Carton	Carton measurement	Carton weight
JKS09-SC6	Cat6 shielded keystone jacks (180 degree)	Silver	20PCS	200PCS	L 53.5cm×W 31.3cm×H 23.4cm	9.20KG