

P/N:NCH

COLD POOL SYSTEM,for data center.



Heavy duty nylon silent pulley



Aluminum alloy hanger rail



Support beam for cold pool channel



Cold pool sliding door



## STANDARD

Comply with ANSI/EIARS-310-D, DIN41491; PART1, IEC297-2, DIN41494; PART7, GB/T3047.2-92 standard. Compatible with metric ETSI and 19 inch international standard.

## FEATURES

- Surface finish: degreasing, pickling, phosphoric, powder coating. The thickness of powder coating is 80µm-100µm, complying with ROHS.
- By adopting heavy duty nylon silent pulley and aluminum alloy hanger rail, the sliding door can be opened and closed easily. And the locks on the door are convenient for people managing the cold pool channel.
- The material of sliding door is double-deck cold-rolled sheet metal which make sure a good intensity of the door; And the middle of the door is made up of clear tempering glass which allow the outside people checking the situation of inside channel.
- The support beam on the top of cold pool channel is used for placing tempering glass. The thickness of the support beam is 1.5mm.

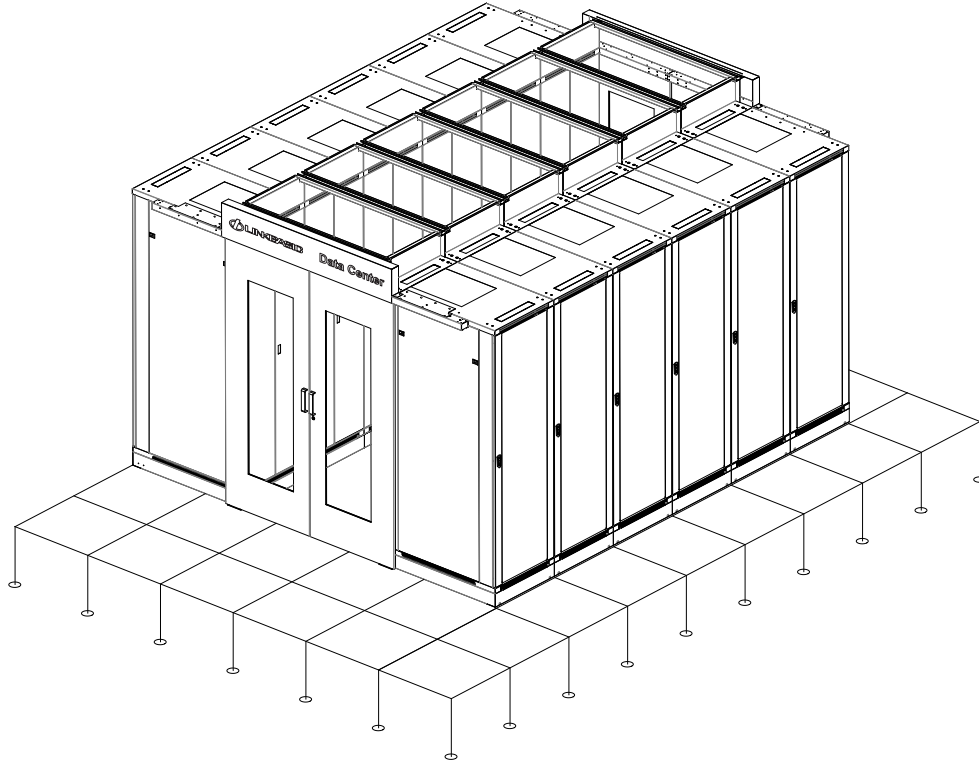
## MATERIALS

Cold-rolled steel sheet. Thickness for hanger rail 2.0 mm, support beam 1.5mm, sliding door 1.2 mm. Heavy duty nylon silent pulley.

## APPLICATION

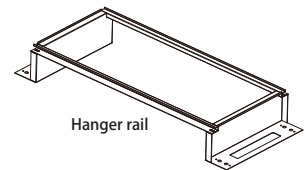
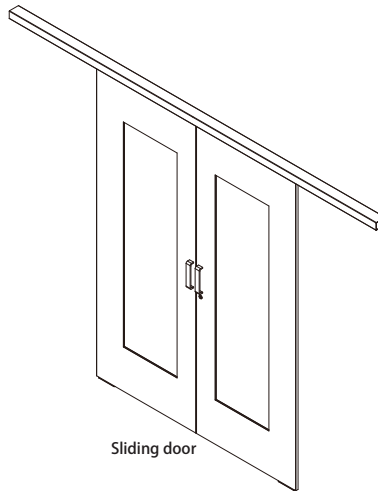
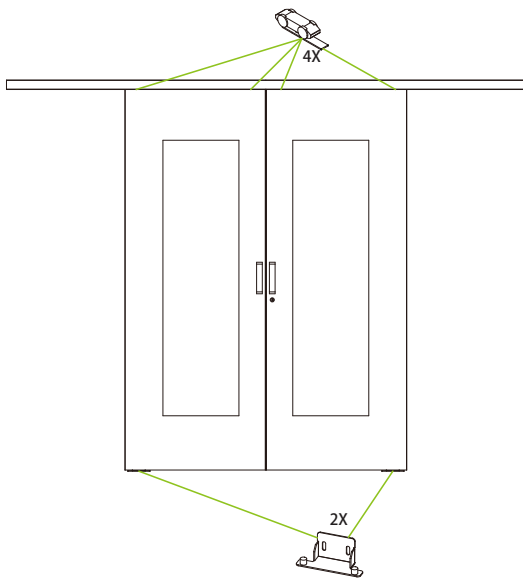
Mainly applied in Finance, Securities and Data Centre, etc.

STRUCTURAL



DIMENSION (MM)

mm Unit of Measurement:mm



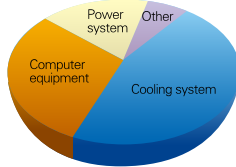
## COLD POOL SYSTEM FOR DATA CENTER

P/N: NCH

### PRINCIPLE OF COLD POOL

#### PREVIOUS SITUATION OF SERVER ROOM

Total Energy Consumption: 100%  
 Air-container: 45%  
 Computer equipment: 30%  
 UPS: 18%  
 Others: 7%



#### COOLING SOLUTION FOR SERVER ROOM

How to reduce energy waste? The cold air should be avoid exchanging with the effluent hot air as soon as possible during the process of facility cooling. So the cold and heat channel should be build to make sure that the cold air in the cold channel will not exchange with the hot air before it passing the facilities. Cold Pool System is the best among the present data center consumption reducing solutions .

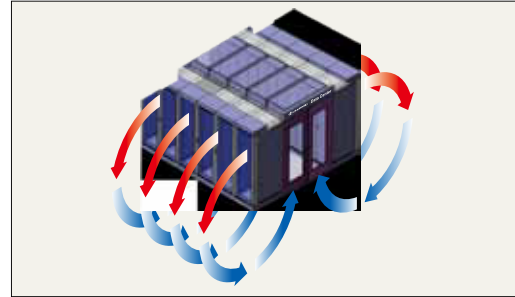
#### PREVIOUS PROBLEMS OF SERVER ROOM

Local overheating in server room.  
 Large energy consumption  
 consumption rate: PUE>2.5

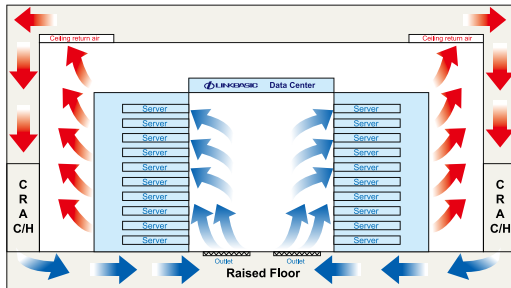
$$PUE = \frac{\text{Total energy consumption}}{\text{IT energy consumption}}$$

#### SCHEMATIC DIAGRAM OF COLD POOL

→ = Hot air    ← = Cold air



#### SECTION VIEW OF COLD POOL



#### ORDER INFORMATION(NCB)

Part number	Description	Applications
NCH01-612	Standard 600X1200 cold pool glass roof and mounting bracket	Tempered glass top
NCH01-812	Standard 800X1200 cold pool glass roof and mounting bracket	Tempered glass top
NCH02-42U6-☆	Standard 42U600 wide sliding door cold pool	Contains installation components and two sliding doors
NCH02-47U6-☆	Standard 42U600 wide sliding door cold pool	Contains installation components and two sliding doors

#### COLOR

☆ = Colors

A= Black(RAL9004)

B=Gray(RAL7044)

