



LINKBASIC

CAT 5E UTP SYSTEM PRODUCTS

CAT 5E UTP KEYSTONE JACKS

P/N: JKB06-UC5E

S/N:C06-005

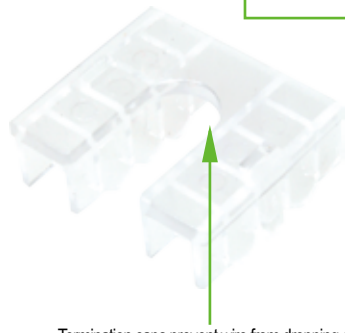
P/N: JKB06-UC5E

Compliant with Category 5E component and channel requirement of T568A and T568B.

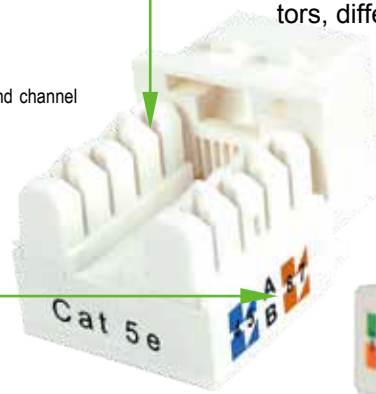
The V style IDC contacts flex not fatigue when terminated.

KEYSTONE JACK, CAT5E, UTP, T568A/B, 8 Positions 8 conductors, accept 22-26AWG conductors, different colors,90degree. S/N:C06-005

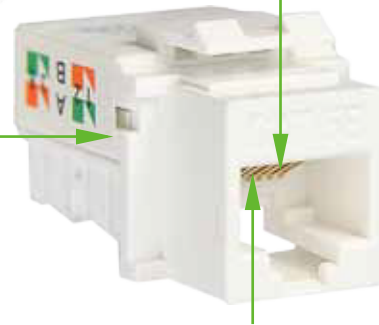
1500 matching recycles.



Termination caps prevent wire from dropping off.

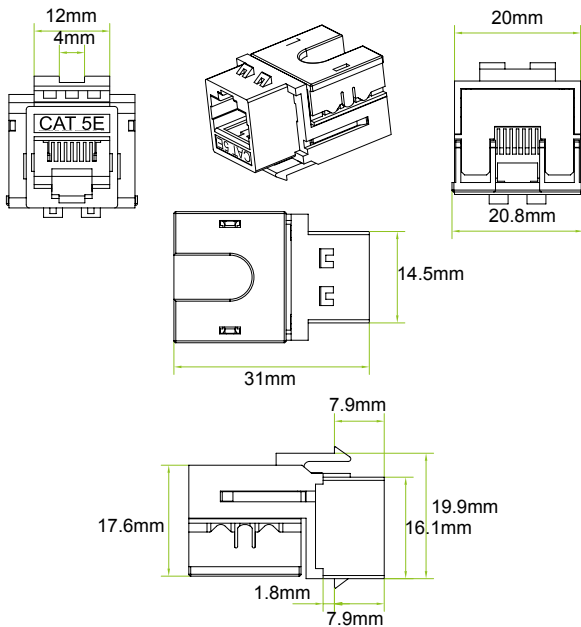


The new design allows high density solutions.



Allow RJ45 plugs to provide high-density solutions.

PRODUCT FIGURE



DESCRIPTION

Horizontal style Cat5E 90 degree keystone jacks, it features dual color-coded wiring label with both T568A/B wiring pattern. Rear termination field for easy termination of a jack while installed in a wall plate, surface mount boxes, and blank patch panels for a wide variety of Applications.

APPLICATION

- Available in Cat 5E, T568A/B wiring schemes, meet or exceed TIA/EIA Cat5E requirements
- Housing : high temperature thermoplastic
- Compact jack design,8 positions and 8 conductors
- Contact : phosphor bronze , phosphor bronze with 6 to 50μ" gold plate
- Accept 22-26 AWG solid with a insulation diameter of 0.4-0.6 mm
- Easy to be terminated, extremely low attenuation loss and high return loss
- High reliability and superior performance
- Available in different colors

CONSTRUCTION

Description	Parameter
Contact resistance(max)	100mΩ
Insulation resistance (min)	500MΩ
Return loss (dB)	5.8dB
Next (dB)	4.7dB
Ps next(dB)	5.5dB



LINKBASIC

WWW.LINKBASIC.COM

CAT 5E UTP KEYSTONE JACKS

Copper solution



LINKBASIC

CAT 5E UTP SYSTEM PRODUCTS

CAT 5E UTP KEYSTONE JACKS

P/N: JKB06-UC5E

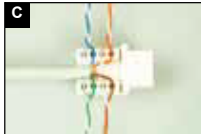
INSTALLMENT INSTRUCTIONS



A Strip back cable jacket using Linkbasic tool (P/N: TLD01) or equivalent.



B View the color on the module to determine proper location of the conductors based upon preferred wiring scheme.



C Insert each wire into the appropriate channel according to the color code on the modular's both sides.



F Terminate wires using Linkbasic tool (P/N: TLA01) or equivalent.



G Install dust caps by snapping into place as shown.



JKB06-UC5E

Cat 5E UTP Keystone Jack (90°)

ORDER INFORMATION

Part number	Description	Standard Color	Inner box	Carton	Carton measurement	Carton weight
JKB06-UC5E	Cat5e unshielded keystone jacks (90 degree)	White	25PCS	250PCS	L 53.5cm×W 31.3cm×H 23.4cm	4.20KG

CAT 5E UTP KEYSTONE JACKS

Copper solution



LINKBASIC

WWW.LINKBASIC.COM