

VOICE UTP KEYSTONE JACKS

P/N: JKR06-UC3

S/N: C07-007

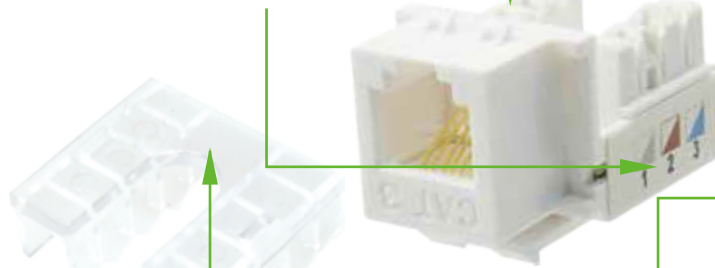
P/N: JKR06-UC3

The V style IDC contacts flex not fatigue when terminated.

KEYSTONE JACK, CAT3, UTP, 6 Positions 6conductors, accept 22-26AWG conductors, different colors,90degree.

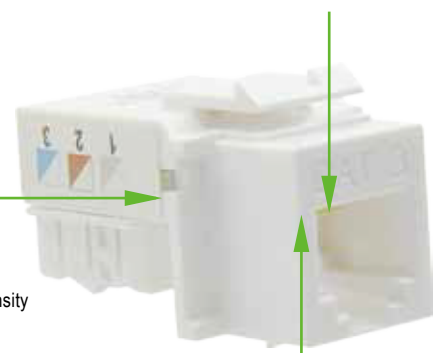
Compliant with Voice component and channel requirement of T568A and T568B.

1500 matching recycles.



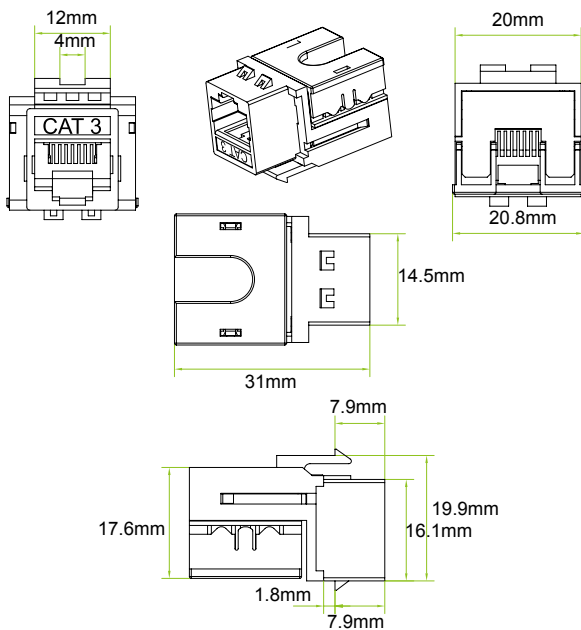
Termination caps prevent wire from dropping off.

The new design allows high density solutions.



Allow RJ11 plugs to provide high-density solutions.

PRODUCT FIGURE



DESCRIPTION

This insert works great to add a Telecommunication connection into any room of the house office, it features dual color-coded wiring labels with both T568A and T568B wiring pattern, a rear termination field for easy termination of a jack while installed in a wall plate, surface mount boxes, and blank patch panels for a wide variety of Applications.

APPLICATION

- Available in Telecommunication, T568 A/B wiring scheme, meet or exceed TIA/EIA VOICE requirements
- Housing : high temperature thermoplastic
- Compact jack design, 6 positions and 6 conductors
- Contact : phosphor bronze , phosphor bronze with 6 to 50μ" gold plate
- Accept 22-26 AWG solid with a insulation diameter of 0.4-0.6 mm
- Easy to be terminated, extremely low attenuation loss and high return loss
- High reliability and superior performance
- Available in different colors

CONSTRUCTION

Description	Parameter
Contact resistance(max)	100mΩ
Insulation resistance (min)	500MΩ
Return loss (dB)	5.8dB
Next (dB)	4.7dB
Ps next(dB)	5.5dB

VOICE UTP KEYSTONE JACKS

P/N: JKR06-UC3

INSTALLMENT INSTRUCTIONS



A Strip back cable jacket and fan out cables based on desired wiring scheme, cut the pair separator and rip cord (if present) as close as possible to the jacket. Note: Be careful not to nick conductors.



B View the color on the module to determine proper location of the conductors based upon preferred wiring scheme.



C Insert each wire into the appropriate channel according to the color code on the modular's both sides.



F Terminate wires using Linkbasic tool (P/N: TLA01) or equivalent.



G Install dust caps by snapping into place as shown.

ORDER INFORMATION

Part number	Description	standard color	Inner box	Carton	Carton measurement	Carton weight
JKR06-UC3	Communication keystone jacks	White	25PCS	250PCS	L 53.5cm×W 31.3cm×H 23.4cm	4.00KG