

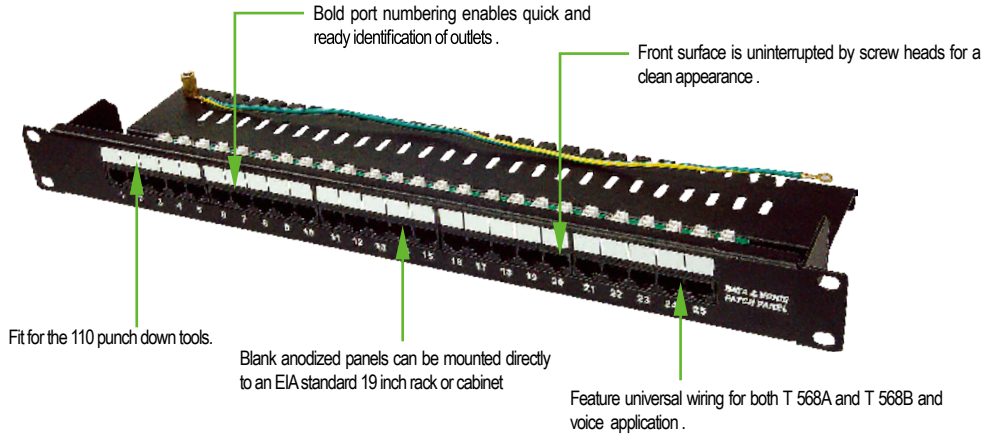
VOICE 25-PORT PATCH PANEL

P/N: PNT25-UC3

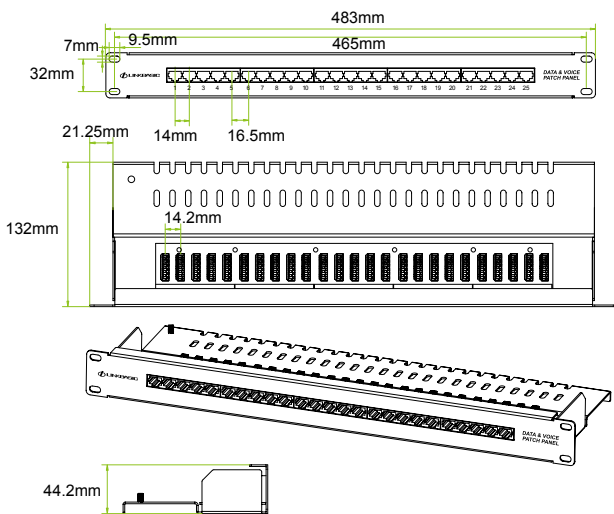
S/N:C07-008

PATCH PANEL, CAT3, UTP, 19inch, 25ports, 1U, IDC type,90degree.

P/N: PNT25-UC3



PRODUCT FIGURE



DESCRIPTION

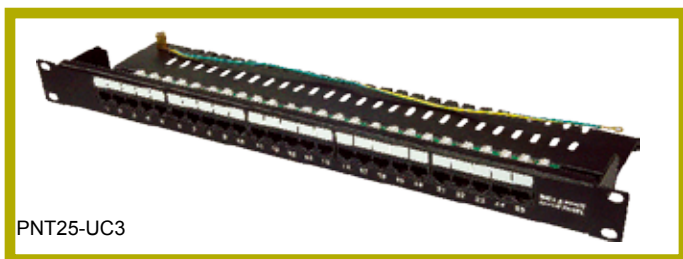
linkbasic's voice patch panels are the perfect solutions for bringing voice to your cable rack ,pre-configured in 25 and 50 port densities and designed specifically for voice grade application .

FEATURES AND BENEFITS

- Design to mount to any standard 19" rack or cabinet
- Space saving ,high-density 1U
- Black Electrostatic Powder-Coated Steel: phosphor bronze with tin plating over nickel
- 110& krone punch down tools are available
- Phosphor bronze with 6-50 micro inches gold plated
- Color Coded TIA/EIA 568A (international) and 568B (AT&T Standard) Wiring For Easy Installation
- Metal sheet: Corrosion resistant steel
- Plastic :fire self -extinguish high impact plastic

VOICE 25-PORT PATCH PANEL

Copper solution



Voice 25-pair patch panel

VOICE 25-PORT PATCH PANEL

P/N: PNT25-UC3

INSTALLMENT INSTRUCTIONS



Insert each wire into the appropriate channel.



Terminate wires using Linkbasic tool (P/N: TLAD1) or equivalent.



Check and ensure each wire in correct slot.



Insert the jack into the correct mounting location properly.

ORDER INFORMATION

| Part number | Description | standard color | Inner box | Carton | Carton measurement | Carton weight |
|-------------|---------------------------|----------------|-----------|--------|-------------------------------|---------------|
| PNT25-UC3 | 25-port voice patch panel | Black | 1PC | 5PCS | L 53.5cm× W 31.3cm × H 23.4cm | 8.50KG |