

THE END TO END NETWORK CABLING SOLUTION



2020-2021 CATALOG

LINKBASIC INFORMATION TECHNOLOGY CO., LTD



WWW.LINKBASIC.COM

COMPANY PROFILE

BRIEF INTRODUCTION



Linkbasic is a total solution supplier of professional integrated cabling, cabinet and related products. In the past 20 years, we have been dedicating ourselves to providing copper cable and fiber optical cable solutions used in voice, video, and audio signal transmission.

Linkbasic fully dedicates itself to the job of fulfilling all clients' requirements, seizing new technology trends and investing in the development of new products as well. Our innovations endow the products with features such as good expansibility, easy usage and high efficiency. As a prominent total cabling solution

supplier, high qualified designers of linkbasic keep designing, developing and working out innovative solutions for clients all over the world. Advanced end to end solution helps all kinds of enterprises enjoy high speed and safe data transmission in communication network.

We keep exceeding and dedicating ourselves to establish a high level marketing team in both mainland and abroad and make our products the best choice all over the world. Linkbasic has sales representatives and distribution channels in 6 continents. The full range of products and

service resources can meet the requirements of clients from regions and worldwide. Every member of the team cooperate with each other to satisfy the clients. All the measures we take above serve one aim, which drives linkbasic a long-term development and the provide of reliable and better services to clients from different industries and religions.

Professional technical staffs of linkbasic will try our best to offer the help from the very beginning of project evaluation to the fulfillment of network communication. Whatever the stage of your project is, it is our honor to provide you all-round service.

QUALITY CONCEPT

Since foundation, Linkbasic always take customer satisfaction as the non-stop goal. From R&D production and after-sales service, quality is our consistent request. We constantly improve our own value in technical innovation and excellent

product quality. Zero defect is our pursuit. The concept of ISO9000 is flawless and customer satisfaction. We adopt advanced equipment for designing, materials selection, production, testing and packing with lasts technology.



CABLE TEST EQUIPMENT

- A** Agilent Networkanalyzer
- B** Tensile testing machine
- C** Salt spare tester
- D** Dielectric strength tester



QUALITY POLICY

we assure you that there is a 25 years guarantee of the products quality since the date you

start to use Linkbasic products.



CABLE AND NETCONNECTOR ASSEMBLIES

SCIENTIFIC RESEARCH AND DEVELOPMENT

Break through old barriers, let technology and the world progress together.

Customer needs will change as technology improves, and our success depends on meeting the needs of our customers.

Therefore, the research and development department of

LINKBASIC has been committed to the latest technological developments in order to provide customers with the latest design concepts.

Our research and development department is composed of a team of senior engineers. Target is:
Keep pace with the latest

industry technology developments. Provide technical expertise and solutions. Collaborate on research and development to meet the needs of customers to ensure quality and cost saving.



CAPABILITY

Linkbasic strives to offer the highest quality plastic injection tooling available. We give you the high quality commitment based on the precision equipment, well trained staff and excellent management.

At present, we have CNC equipment and all the relevant machines needed. With the High Speed CNC Machine Center, we could meet the urgent jobs requested by customer. Our manufacturing facilities are

equipped with the advanced machines of prototyping, tooling, electroplating, stamping, molding, precision turning, auto-assembly and packing and so on.

Our highly qualified staff includes capacity, increase the part quality, we have devoted many technicians to develop the Stack Molding and Twin-Shot Molding successfully.



COMPANY PROFILE



CORPORATE VISION

Linkbasic is committed to making the world's connection more reliable and simple

OUR MISSION

Become leader in the instelligent cabling industry
Delive quality product to users;

realize value for employeess;
accumulate wealth for shareholders



Mutual trust and respect



Pursui of excellencet



Enthusiasm and inaugurate

CORE VALUES

Objective

Product quality is the life of company

Spirit

Loyalty, unity, persistent innovation, rtanscendence, fully dedication

Policy

Focus on quality and innovation; invest in research and development integrity and down-to-earth, mutual benefit and win-win

Concept

Realize the full talent of employees; make the best use of material
Invest money in the right places, and everyone contribute their full strength.

WEB SITE



www.linkbasic.com



ISO 9001-2015



ISO 14001



ISO45001



UL certificate



DELTA certificate



ETL certificate



3P certificate



CE certificate



RoHS certificate



REACH certificate

DIRECTORY

CAT8 SYSTEM PRODUCTS



4 PAIRS TWISTED CAT8 CABLE	7
CAT8 KEYSTONE JACK	8
CAT8 PATCH PANEL	9
CAT8 PATCH CORD	9

CAT6A SYSTEM PRODUCTS



4 PAIRS TWISTED CAT6A CABLE	11
CAT6A KEYSTONE JACK	12
CAT6A PATCH PANEL	13
CAT6A PATCH CORD	13

CAT 6 SYSTEM PRODUCTS



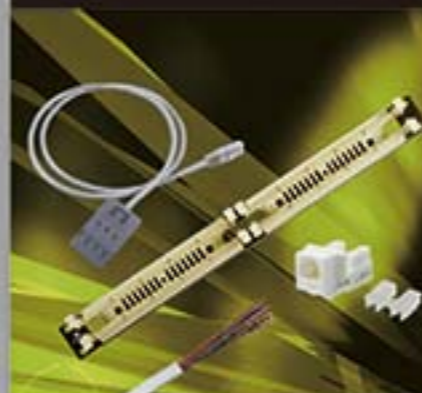
4 PAIRS TWISTED CAT6 CABLE	15-16
CAT6 KEYSTONE JACK	17
CAT6 PATCH PANEL	18
CAT6 PATCH CORD	19
CAT6 RJ45 MODULAR PLUG	19

CAT 5E SYSTEM PRODUCTS



4 PAIRS TWISTED CAT5E CABLE	21-22
CAT5E KEYSTONE JACK	23
CAT5E PATCH PANEL	24
CAT5E PATCH CORD	25
CAT5E RJ45 MODULAR PLUG	25

TELECOMMUNICATION SERIES



TELECOMMUNICATION CABLE	27
VOICE KEYSTONE JACK	28
VOICE PATCH PANEL	28
110 WRING BLOCKS	29
VOICE RJ11 MODULAR PLUG	29

COPPER SOLUTION PRODUCT ACCESSORIES



FACEPLATE	31-32
EMPTY PANEL	33
CABLE MANAGEMENT	33
TOOLS	34-35
RJ45 PLUG BOOTS	35

FIBER OPTIC SOLUTION PRODUCTS



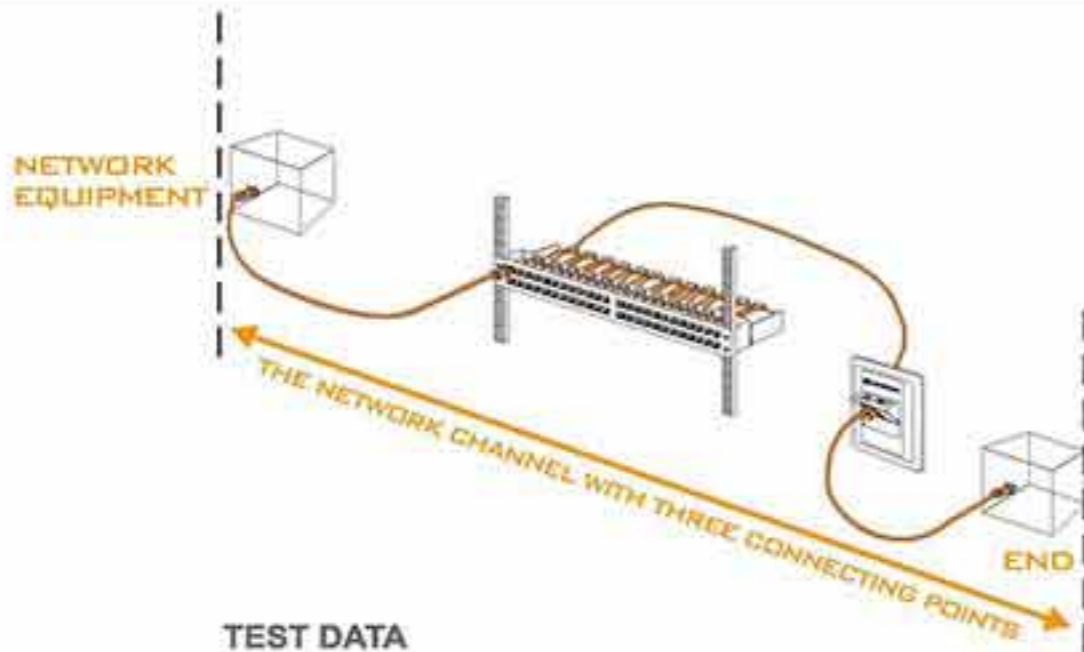
MPO SOLUTIONS	37-40
INDOOR FIBER OPTICAL CABLE	41
OUTDOOR FIBER OPTICAL CABLE	42-43
BOW-TYPE DROP CABLE	44
FIBER FACEPLATE, ADAPTER	45-46
FIBER SHELF	47
FIBER PATCH CORD	48-49
SC FIBER CONVERTER	49

CABINET & ENCLOSURE

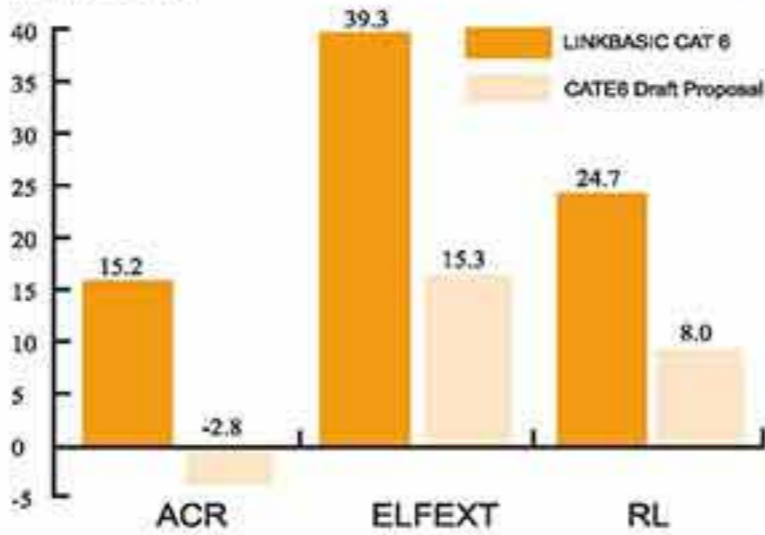


NCF CABINET	51-52
NCB, NCE CABINET	53-58
COLD POOL SYSTEM FOR DATA CENTER	59-61
WCB, WCE WALL CABINET	62
PDU	63
CABINET ACCESSORIES	64-66

COOPER CABLE SYSTEM PRODUCTS



TEST DATA



Note: Third-party independent test verification

Worst Case, 4-connector channel	ACR	ELFEXT	RL
Cat 6 Draft Proposal	-2.8	15.3	8.0
LINKBASIC Cat 6	15.2	39.3	24.7
Margin Cat 6	18.0	24.0	16.7

THE FEATURES AND ADVANTAGES OF COPPER CABLING SOLUTIONS

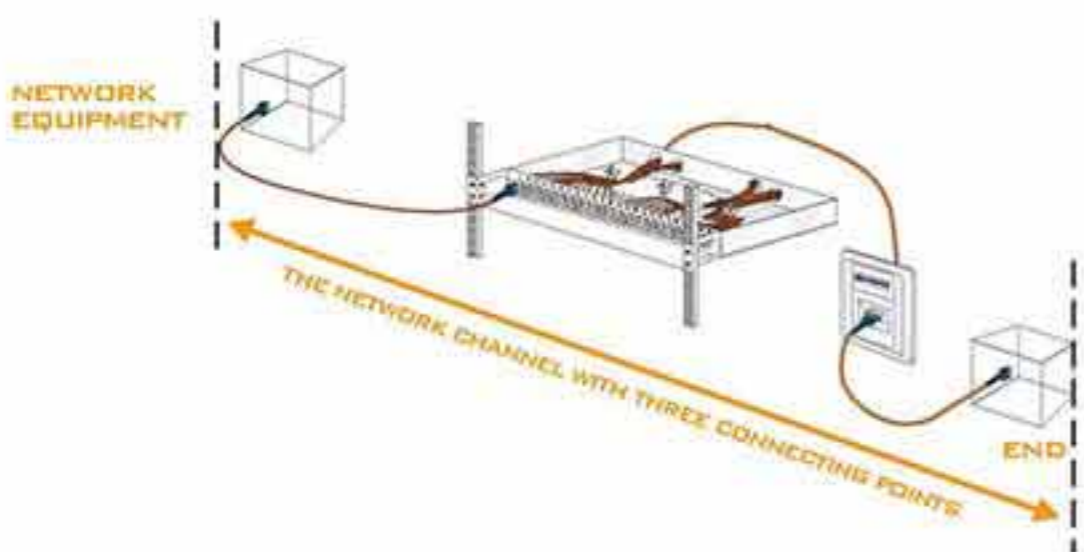
Linkbasic cables exceed TIA/EIA-568-B.2-1 and ISO/IEC11801 requirements for performance by significant margins on all parameters. The net connect system complies with all of the performance requirements for current and proposed applications such as Gigabit Ethernet, (1000BASE-TX), 10/100 BAST-TX, token ring, 155Mbps ATM, 100Mbps TP-PMD, ISDN, analog and digital video and analog digital voice (VoIP), this cable is available as non-plenum general-purpose communication cabling (CM) and packaged on a bulk reel. Standard jacket color is gray.

The shielded patch panels are loaded with shielded keystone jacks, which are housed in a closure full shielding metal enclosure designed to meet highest industry requirement, a shielded version is also available to maximum protection from EM/RFI interference by Utilizing fully shielded jacks and connecting hardware, you can reduce the effects of interference on the network data transmissions.

By utilizing fully shielded jacks and connecting hardware, you can reduce the effects of interference on the network data transmissions, the concept size provided high-density connectivity in the work area and telecommunication room and make shielded version available to maximum protection from EM/RFI interference.

Linkbasic patch cable enable you to connect all hardware destinations on a local area network, perfect for use with Gigabit Ethernet. They comes complete RJ45 male to male connectors and snagless molded strain relief, the extra foil shielding protects against Electro Magnetic Interference (EMI) and Radio Frequency Interference (RFI).

FIBER SYSTEM PRODUCTS



TEST DATA

TYPICAL YIELD	Insertion loss	Return loss
Singlemode Thread-lock Connectors	0.2 dB	32 dB
Multimode Thread-lock Connectors	0.2 dB	20 dB
Fiber Optic Cable Assemblies	0.2 dB	20 dB

THE FEATURES AND ADVANTAGES OF FIBER CABLING SOLUTIONS

The fiber system transmits in light speed with long distance. It meets or even higher than the modern industrial fiber standard.

There are ST, SC, FC and LC adapters used in the horizontal cabling in IT room.

Varieties of specifications fiber patch cords in ST, SC, FC and LC are commonly used in the horizontal cabling system with fast connecting and flexibility.

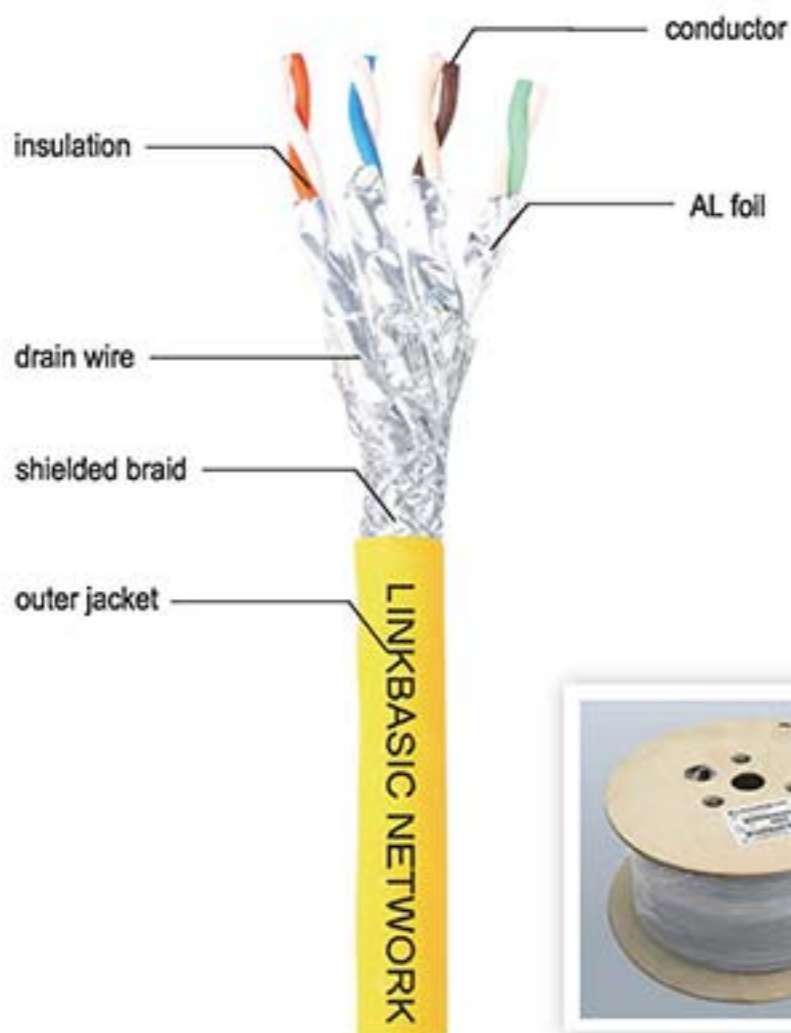
CAT8 SYSTEM PRODUCTS



4 PAIRS TWISTED CAT8 CABLE	7
CAT8 KEYSTONE JACK	8
CAT8 PATCH PANEL	9
CAT8 PATCH	9

4 TWISTED PAIR CAT8 CABLE

Part Number: CLA04-SFC8



DESCRIPTION

- With High quality Electrical and Mechanical performance Cat.8.2 Solid Cable
- Reference Standard: IEC61156-5, ISO/IEC 11801, UL Subject 444, YD/T1019

PRODUCT FEATURES

- High Level Solid cable for Data Center
- Application for maximum 30m link length in 40GBase-T application data center of EoR / ToR
- Applications for digital and analog voice video and data signal transmission
- Suitable for all applications up to 2000MHz ICT network
- Suitable for Ethernet(PoE / PoE+) power supply
- Through the separate wire pair shielding and overall copper mesh braided shielding to achieve effective shielding
- Compact cable design
- Compatible with all currently compatible hardware for EN 50173 and ISO/IEC 11801

ELECTRICAL CHARACTERISTICS

Nom. mutual capacitance	≤5.6 nF/100m (@1kHz)
Pair to ground capacitance unbalance	≤1200 pF/100m
Nominal velocity of propagation	74%
Max. delay skew	25 ns/100m
Max. conductor DC resistance	7.0 Ω/100m (@ 20 °C)
Min. insulation resistance	5000 MΩ.km

CONSTRUCTION

Structure	Construction	S/FTP
	Number of Pairs	4 Pairs
Conductor	AWG	22 AWG
	Conductor material	Solid bare copper
Insulation	Insulation material	Foam PE
Shield	Individual shield & material	AL-Foil
	Primary overall shield & material	AL-MG alloy wire braid
	Overall nominal dimension	8.50 ±0.30 mm

MECHANICAL CHARACTERISTICS

Operating temperature range	-20 °C~ +75 °C
Max. recommended pulling tension	110 N
Min. bend radius (install)	8 x O.D.

ORDER INFORMATION

Part Number	Description	AWG	Packing Type	Length
CLA04-SFC8	CAT8 FTP solid cable	22AWG	Reel	305m(1000ft)
CLA04-SFC8-LSZH	CAT8 FTP solid cable,LSZH	22AWG	Reel	305m(1000ft)

CAT8 KEYSTONE OUTLET

Part Number: JKS09-SC8



PRODUCT FEATURES

- Comply with T568A and T568B line sequence
- Suitable for 10/100/1000/10G/40GBASE-T Fast Ethernet, ATM155Mbps/622Mbps system applications
- The most important type of connecting device in a wiring system, consisting of a plug and a socket
- Connected between wires to achieve electrical continuity of the wires
- Communication socket for equipment room and work area
- Unique nickel-plated copper cladding for good shielding
- The socket core adopts 50 μ gold plating, the lossless contact insertion are more than 750 times, and the wire port supports more than 200 times of termination.
- Contact pin contacts use high and low misalignment technology to effectively reduce Near End Cross-Talk values
- Embedded design, the keystone jack can be installed on the shielded distribution frame to form a modular distribution frame

PRODUCT INTRODUCTION

Suitable for CAT8 Shielding system, connecting 22-26AWG single strands and 24AWG strands, for termination of horizontal subsystems
Reference Standard:TIA/EIA-568C, YD/T926.3-2009, ISO/IE11801-2008

CONSTRUCTION

Description	Parameter
Contact Resistance(max)	100m Ω
Insulation Resistance(min)	500M Ω
Return Loss(dB)	5.8dB

ORDER INFORMATION

Part Number	Description	Standard Color	Inner box	Carton	Carton measurement	Carton weight
JKS09-SC8	CAT8 shielded keystone outlet	SILVER	20pcs	200pcs	53cm*31cm*23cm	9.2KG

CAT8 PATCH PANEL

Part Number: PNA24-SC8



PRODUCT INTRODUCTION

The CAT8 patch panel adopts jack's design, which is flexible, easy to install and maintain, meeting or exceeding the transmission standard of CAT8

The performance is beyond CAT8 2000MHZ hardware connections standard

PRODUCT FEATURES

- Suitable for 10/100/1000/10G/40GBASE-T Fast Ethernet, ATM155Mbps/622Mbps system applications
- Compatible with 19-inch equipment racks and cabinets
- All port front ends are labeled to facilitate customer port identification
- Cable management in the back can effectively channel cable to the contact

ORDER INFORMATION

Part Number	Description	Standard Color	Inner box	Carton	Carton measurement	Carton weight
PNA24-SC8	CAT8 24 port shielded patch panel	Black	1pcs	10pcs	53cm*31cm*23cm	17KG

CAT8 PATCH CORDS

Part Number: CAA01-SFC8-*-#



* : patch cord length, 1=1m, 2=2m, 3=3m,

: patch cord color: A=black, B=blue, C=red, D=orange, E=yellow, F=gray, G=green

PRODUCT INTRODUCTION

Using multi-core bare copper cord as conductor, transmission performance is outstanding, suitable for 10/100/1000/10G/40GBASE-T Fast Ethernet, ATM155Mbps/622Mbps Ethernet data transmission. The whole cable is effectively shielded with aluminum foil and applied to the shielded wiring to provide anti-interference.

PRODUCT FEATURES

- Using for High-speed connectivity of data center networks
- Durable high quality connectors can prevent corrosion, high temperatures and air pollutant
- Shielded braid for entire cable, AL foil for wire pair
- PVC or LSZH jacket available
- Available in 1, 2, 3, and 5 standard lengths, other lengths and colors are available upon request
- 50μ gold-plated crystal head ensures excellent performance
- Adopting advanced technology and integrated crimping, it effectively prevents the crystal head from falling off, making the connection more secure and reliable

ORDER INFORMATION

Part Number	Description	Inner box	Carton measurement (LxWxH)
CAA01-SFC8-*-#	CAT8 FTP patch cord	1PCS	53cm*31cm*23cm

P/N: CLA04-SC6A

CAT6A SYSTEM PRODUCTS

P/N: PNA24-SC6A

P/N: JKS09-SC6A

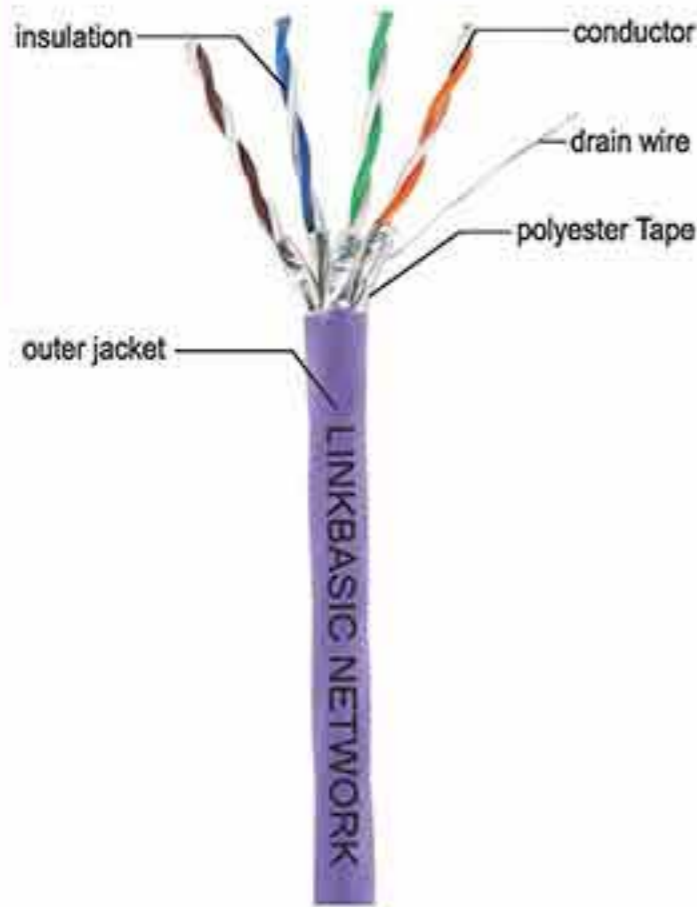
P/N: CAA01-SC6A-*-#

4 PAIRS TWISTED CAT6A CABLE	11
CAT6A KEYSTONE JACK	12
CAT6A PATCH PANEL	13
CAT6A PATCH CORD	13

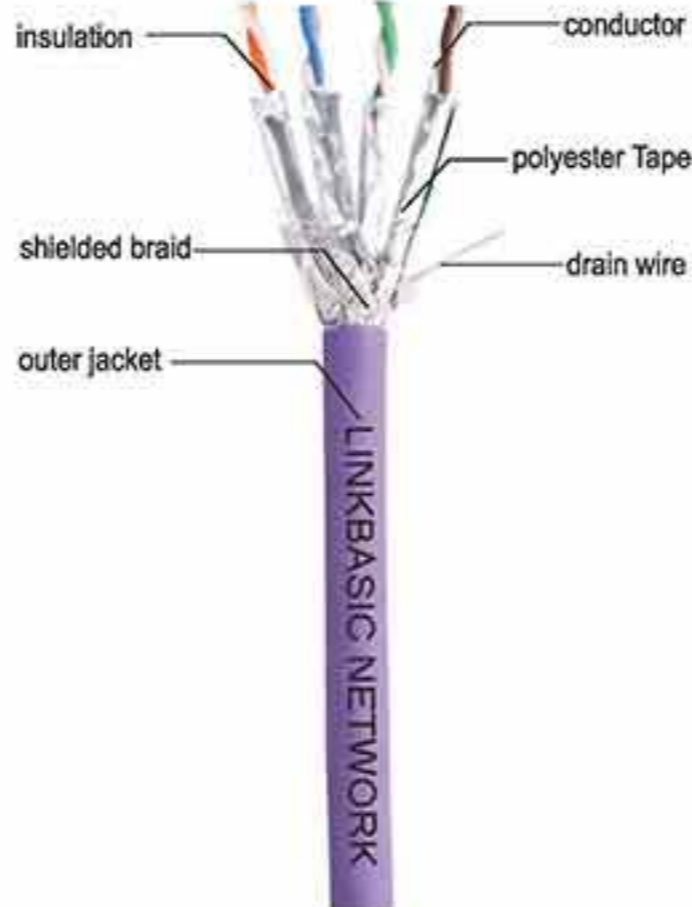
CAT 8 SYSTEM PRODUCTS
 CAT 6A SYSTEM PRODUCTS
 CAT 6 SYSTEM PRODUCTS
 CAT 5E SYSTEM PRODUCTS
 TELECOMMUNICATION SERIES
 COPPER SOLUTION PRODUCTS ACCESSORIES
 FIBER OPTIC SOLUTION PRODUCTS
 CABINET & ENCLOSURE

CAT 6A SOLID CABLE

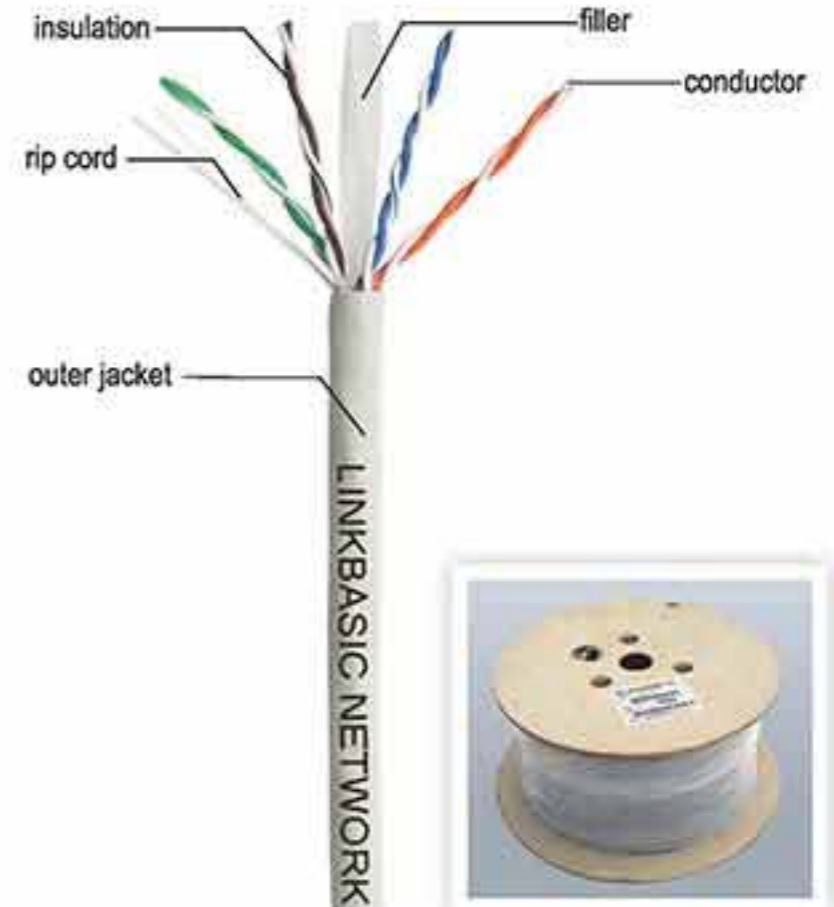
Part Number: CLA04-UFC6A



Part Number: CLA04-SFC6A



Part Number: CLA04-UC6A



DESCRIPTION

- Rated temperature: 70°C
- Reference standard: UL Subject 444, TIA-568-C.2&ISO/IEC 11801, IEC 61156
- Conductor: Solid bare copper

ELECTRICAL CHARACTERISTICS

Max. Mutual Capacitance@kHz	≤ 5.6nF/100m
Max. Capacitance unbalance	≤ 330pF/100m
Nominal Velocity of Propagation (NVP)	65%
Max. Delay Skew(ns/100m)	45ns/100m
Max. Conductor DC Resistance@20 Deg.C	7.02Ω/100m(23AWG)
Max. DC Resistance unbalance@20 Deg.C	≤ 2%
Min. Insulation resistance(MΩ/KM)	5000

ORDER INFORMATION

Part Number	Description	AWG	Standard Color	Packing Type	Length	Carton measurement	Weight
CLA04-UFC6A	CAT6A U/FTP solid cable, PVC	23AWG	RAL7035	Reel	305m(1000ft)	Φ38cm × H27cm	19.70KG
CLA04-UFC6A-CMR	CAT6A U/FTP Solid cable, CMR	23AWG	RAL7035	Reel	305m(1000ft)	Φ38cm × H27cm	19.70KG
CLA04-UFC6A-LSZH	CAT6A U/FTP Solid cable, LSZH	23AWG	RAL7035	Reel	305m(1000ft)	Φ38cm × H27cm	18.90KG
CLA04-SFC6A	CAT6A S/FTP solid cable	23AWG	RAL7035	Reel	305m(1000ft)	Φ38cm × H27cm	23.85KG
CLA04-UC6A	CAT6A UTP Solid cable	23AWG	RAL7035	Reel	305m(1000ft)	Φ38cm × H27cm	16.30KG
CLA04-UC6A-CMR	CAT6A UTP Solid cable, CMR	23AWG	RAL7035	Reel	305m(1000ft)	Φ38cm × H27cm	16.30KG
CLA04-UC6A-LSZH	CAT6A UTP Solid cable, LSZH	23AWG	RAL7035	Reel	305m(1000ft)	Φ38cm × H27cm	16.00KG

CONSTRUCTION

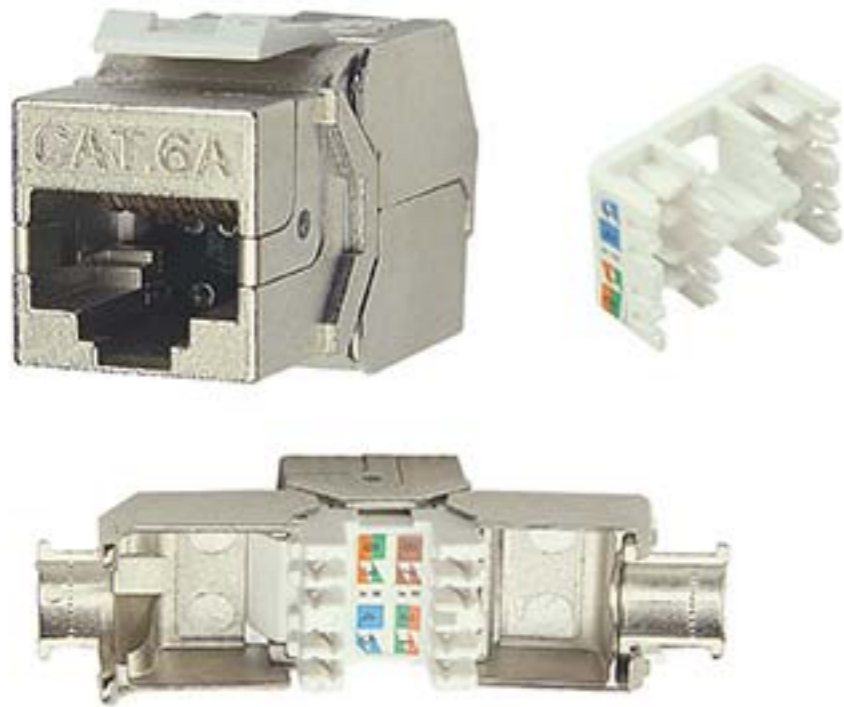
Structure	Numbers of pairs	4 pairs
	AWG	23 AWG
	Solid or stranded; Bare or Tinned	Solid Bare Copper HDPE
Insulation	Insulation material	YES
	Cross filler	PVC or LSZH
Outer jacket	Outer jacket material	YES
	Outer jacket ripcord	6.6
	Outer Diameter(mm)	7.6

MECHANICAL CHARACTERISTICS

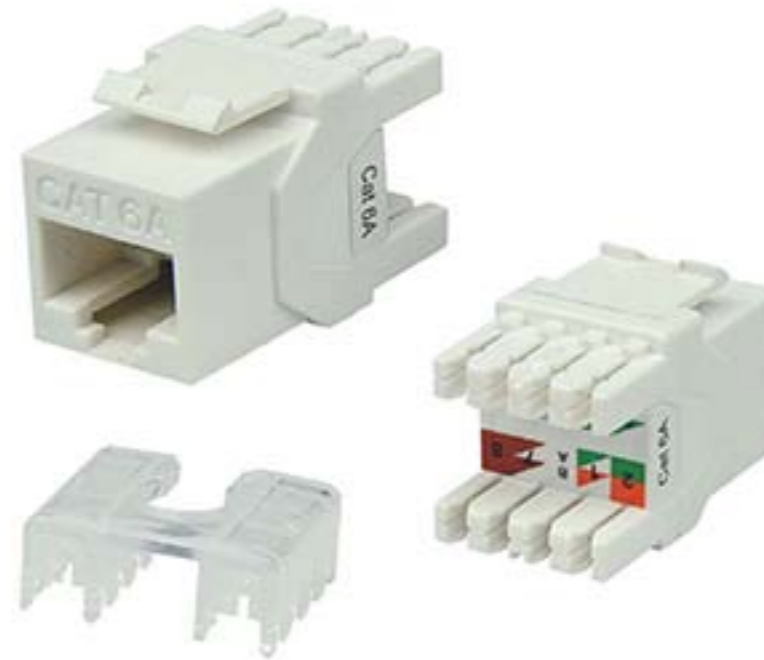
Operating Temp. Range	-20~70°C
Max. Recommended Pulling	110N
Pulling Tension Min Bend Radius	8 x O.D.
Flame Test	PVC

CAT 6A KEYSTONE JACKS

Part Number: JKS09-SC6A



Part Number: JKA09-UC6A



PRODUCT INTRODUCTION

The CAT6A keystone jacks, as the part of Linkbasic CAT6A solutions, exceeds all the requirements of CAT6A standard. It conforms to 10G system and applies to the connection of communication socket in the equipment room or working area. It provides up to 550 MHz bandwidth available.

CONSTRUCTION

Description	Parameter
Contact Resistance(max)	100mΩ
Insulation Resistance(min)	500MΩ
Return Loss(dB)	5.8dB

ORDER INFORMATION

Part Number	Description	Standard Color	Inner box	Carton	Carton measurement(LxWxH)	Carton weight
JKS09-SC6A	CAT6A shielded keystone jack	Silver	20pcs	200pcs	53cm*31cm*23cm	9.2KG
JKS09-UC6A	CAT6A unshielded keystone jack	White	25pcs	250pcs	53cm*31cm*23cm	3.8KG

PRODUCT FEATURES

- Individual design with simple, compacted outlooking.
- It complied with the human anthroponomy. Tool-less punch down design for the shielded keystone jack..
- 110 type impact and punching tool for the unshielded keystone jack
- Special PCB circuit board design can reduce the interference and keep high margin in return loss
- Zinc alloy shielding shell for the shielded keystone jack.
- High tensile PC materials for unshielded keystone jack.
- Available in T568A and T568B which will be shown on the keystone jack
- Contact: phosphor bronze with 6 to 50μgold plate
- 23 AWG
- Contact insertion for 1500 times
- The termination protective cap at the back of the module with buckle lock type design, can guarantee the cable to avoid excessive bending after termination, or fall off and the protection of electric shock
- Fully compatible with RJ45 connector, suitable for CAT6A/CLASS EA or lower application

CAT6A PATCH PANELS

Part Number: PNA24-SC6A



Part Number: PNA24-UC6A



PRODUCT INTRODUCTION

The CAT6A patch panel is loaded with tool-less punch down keystone jacks, which meet or exceed the transmission standard of CAT6A. The performance is beyond CAT6A 550 MHZ hardware connections standard and widely used in the horizontal cabling between the equipment and intermediated terminal.

PRODUCT FEATURES

- Zinc alloy shielding shell for the shielded keystone jack.
- High intensity PC materials for unshielded keystone jack.
- Available in T568A and T568B
- Contact: phosphor bronze with 6 to 50µgold plate assuring the 250 times insertion
- The termination protective cap at the back of the module with buckle lock type design, can guarantee the cable to avoid excessive bending after termination, or fall off and the protection of electric shock
- Fully compatible with RJ45 connector, suitable for CAT6 level or lower application
- Contact insertion for 1500 times
- Easy for installation.

ORDER INFORMATION

Part Number	Description	Standard Color	Inner box	Carton	Carton measurement	Carton weight
PNA24-SC6A	CAT6A 24 port shielded patch panel	black	1PCS	10PCS	53cm*31cm*23cm	17.00KG
PNA24-UC6A	CAT6A 24 port unshielded patch panel	black	1PCS	10PCS	53cm*31cm*23cm	10.00KG

CAT6A PATCH CORDS

PRODUCT INTRODUCTION

Cat6A patch cord is made by LINKBASIC cat6A stranded cable and cat6A plug. The transmission performance is fully compatible to the cat6A standards. It can provide up to 550 MHZ bandwidth available, working together with LINKBASIC CAT6A keystone jack and patch panel.

PRODUCT FEATURES

- 6-50 micron RJ-45 staggered gold plated connectors
 - Fitted with strain relief boots
 - With or without reports made to the order
 - 100% tested wiring sequence and continuity
 - Excellent attenuation and crosstalk characteristics
 - Connector with staggered pin configuration to limit cross talk
 - Exceed category 6A requirement
- They are available in a variety of the lengths

Part Number: CAA01-SC6A-*-#

Part Number: CAA01-UC6A-*-#



*: patch cord length, 1=1m, 2=2m, 3=3m,

#: patch cord color: A=black, B=blue, C=red, D=orange, E=yellow, F=gray, G=green

ORDER INFORMATION

Part Number	Description	Inner box	Carton measurement
CAA01-SC6A-*-#	CAT6A FTP patch cord, PVC	1PCS	53cm*31cm*23cm
CAA01-SC6A-LSZH-*-#	CAT6A FTP patch cord, CMR	1PCS	53cm*31cm*23cm
CAA01-SC6A-CMR-*-#	CAT6A FTP patch cord, LSZH	1PCS	53cm*31cm*23cm
CAA01-UC6A-*-#	CAT6A UTP patch cord, PVC	1PCS	53cm*31cm*23cm
CAA01-UC6A-LSZH-*-#	CAT6A UTP patch cord, CMR	1PCS	53cm*31cm*23cm
CAA01-UC6A-CMR-*-#	CAT6A UTP patch cord, LSZH	1PCS	53cm*31cm*23cm
RJB01-SC6A	Cat6A FTP RJ45 Modular plug / Field connector	1PCS	—
RJB01-UC6A	Cat6A UTP RJ45 Modular plug / Field connector	1PCS	—



P/N: CLA04-UC6

CAT6 SYSTEM PRODUCTS

P/N: JKA09-UC6

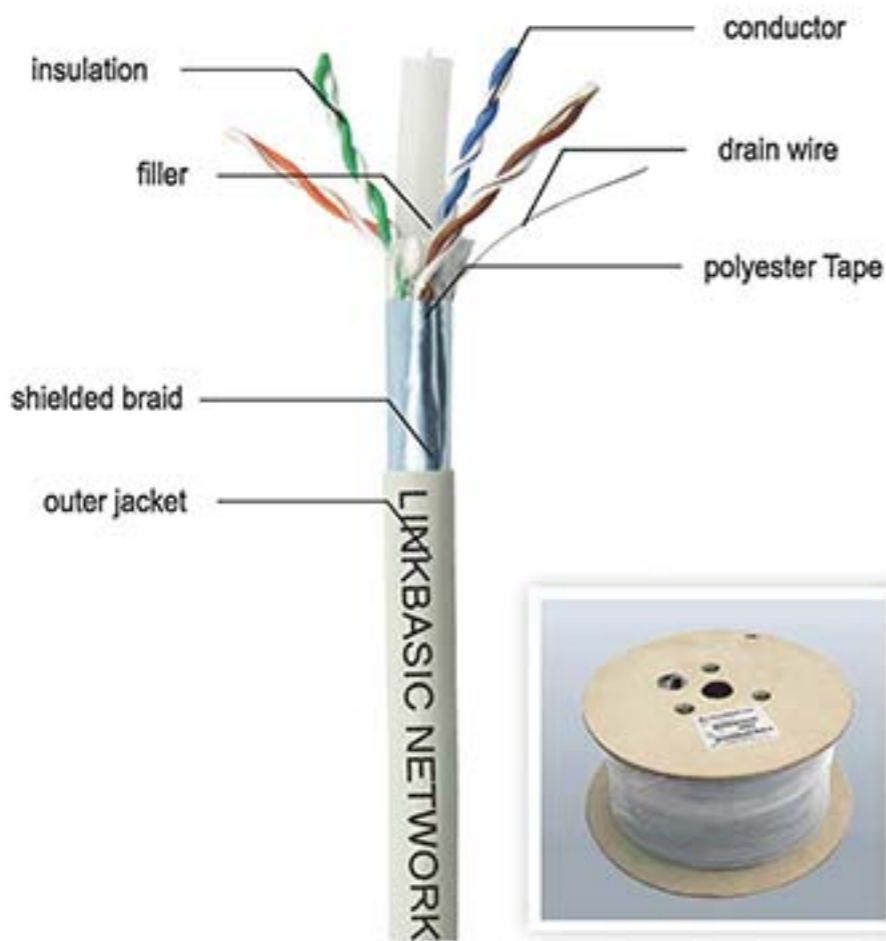
P/N: PNA24-UC6

P/N: CAA01-UC6-*-#

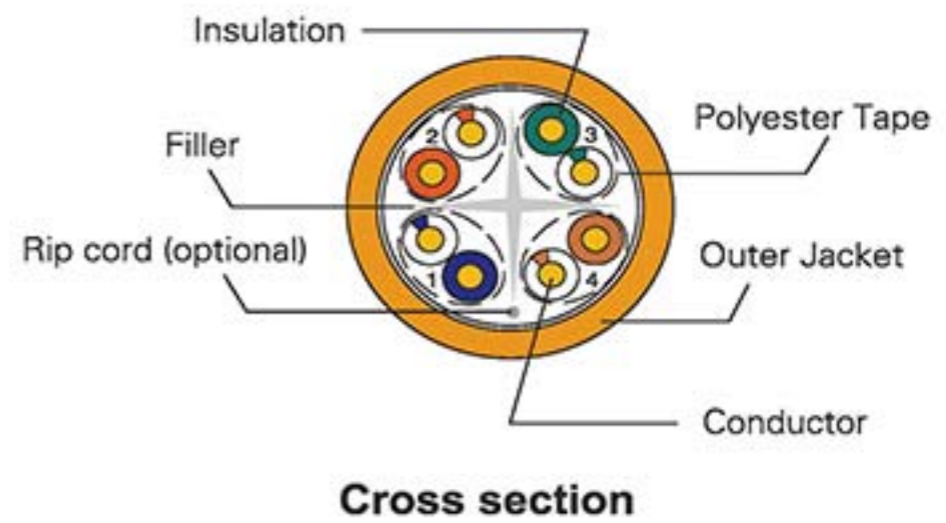
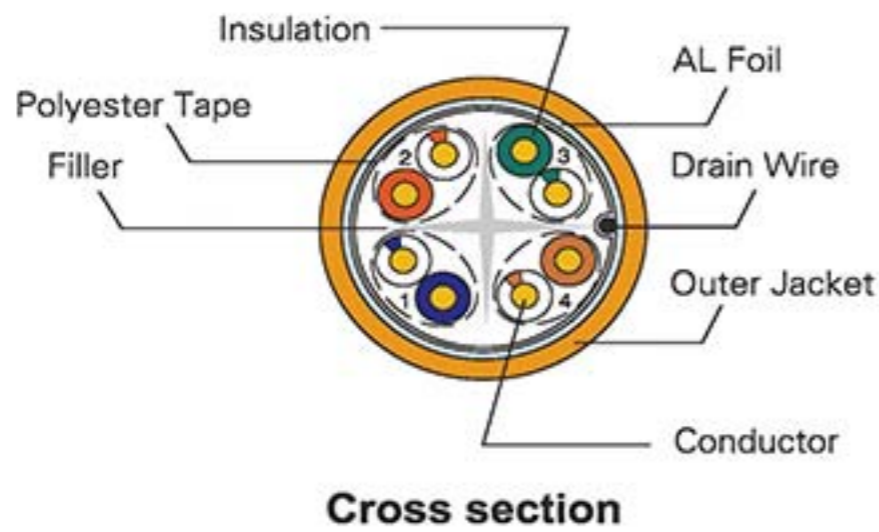
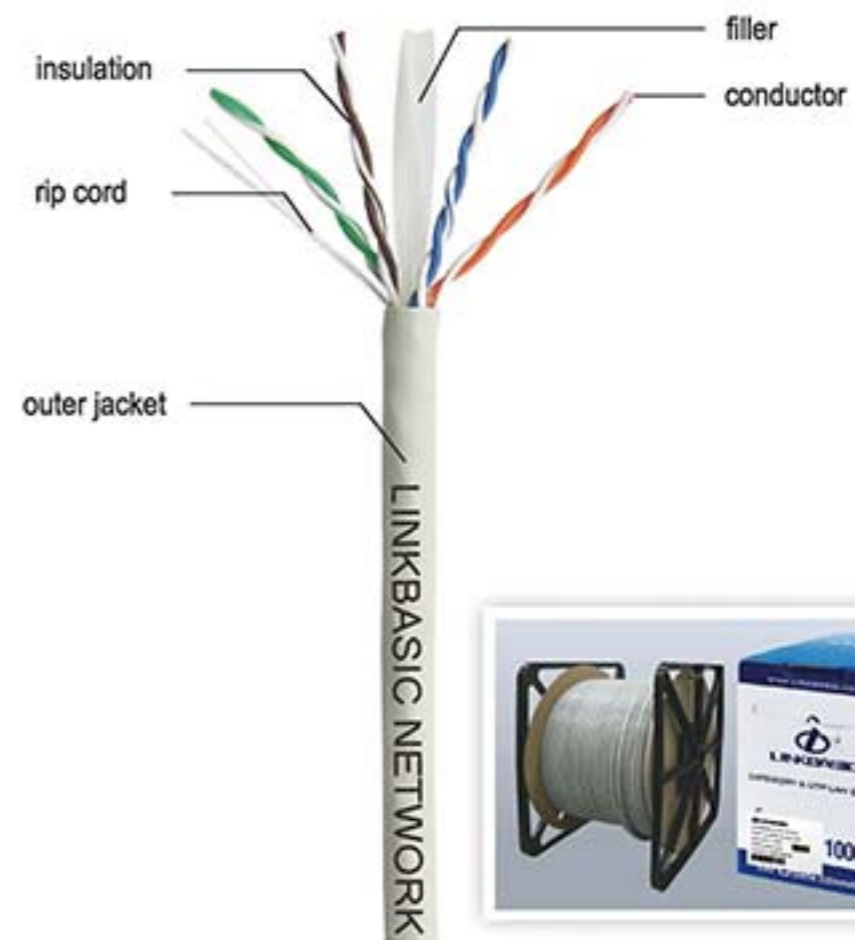
4 PAIRS TWISTED CAT6 CABLE	15-16
CAT6 KEYSTONE JACK	17
CAT6 PATCH PANEL	18
CAT6 PATCH CORD	19
CAT6 RJ-45 PLUG	19

CAT 6 SOLID CABLE

Part Number: CLA04-SC6



Part Number: CLA04-UC6



PRODUCT FEATURES

- Rated temperature: 70°C
- Reference standard: UL Subject 444, TIA-568-C.2&ISO/IEC 11801, IEC 61156
- Conductor: Solid bare cooper

DESCRIPTION

Max. Mutual Capacitance@kHz	≤ 5.6nF/100m
Max. Capacitance unbalance	≤ 330pF/100m
Nominal Velocity of Propagation (NVP)	65%
Max. Delay Skew(ns/100m)	45ns/100m
Max. Conductor DC Resistance@20 Deg.C	7.02Ω/100m(23AWG)
Max. DC Resistance unbalance@20 Deg.C	≤ 2%
Min. Insulation resistance(MΩ/KM)	5000

CONSTRUCTION

Structure	Numbers of pairs	4 pairs
	AWG	23 AWG
Insulation	Insulation material	HDPE
	Cross filler	YES
Outer jacket	Outer jacket material	PVC or LSZH
	Outer jacket ripcord	Based on customer request
	Outer Diameter(mm)	Shielded 7.0, unshielded 6.2

MECHANICAL CHARACTERISTICS

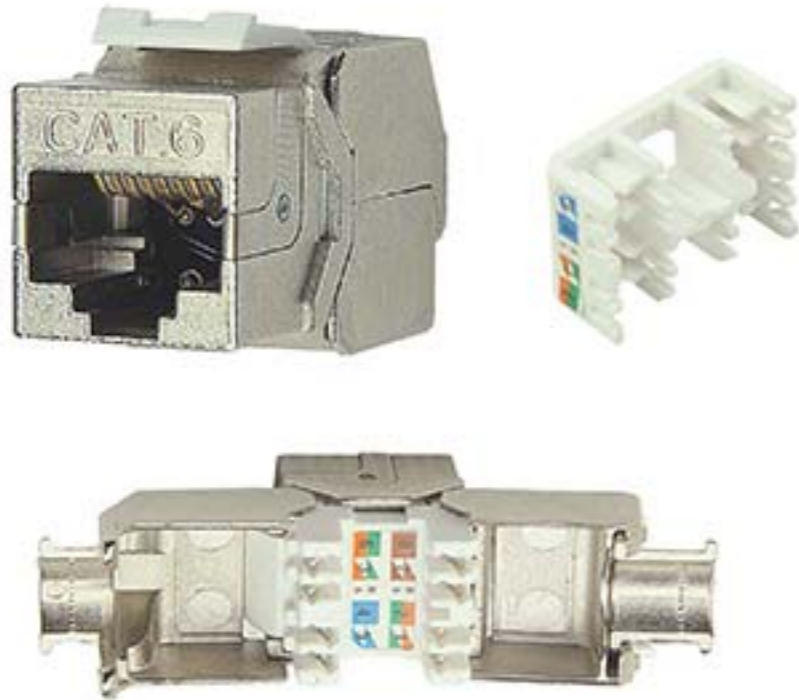
Operating Temp.Range	-20~70℃
Max. Recommended Pulling	110N
Pulling Tension Min Bend Radius	8 x O.D.
Flame Test	PVC

ORDER INFORMATION

Part Number	Description	AWG	Standard Color	Packing Type	Length	Weight
CLA04-SC6	CAT6 FTP solid cable, PVC	23AWG	RAL7035	Reel	305m(1000ft)	18.30KG
CLA04-SC6-CMR	CAT6 FTP Solid cable, CMR	23AWG	RAL7035	Reel	305m(1000ft)	18.30KG
CLA04-SC6-LSZH	CAT6 FTP Solid cable, LSZH	23AWG	RAL7035	Reel	305m(1000ft)	17.50KG
CLA04-SFC6	CAT6 SFTP solid cable	23AWG	RAL7035	Reel	305m(1000ft)	22.10KG
CLA04M-SC6	CAT6 FTP Stranded cable	24AWG	RAL7035	Reel	305m(1000ft)	16.20KG
CLA04-UC6	CAT6 UTP Solid cable, PVC	23AWG	RAL7035	Box	305m(1000ft)	14.10KG
CLA04-UC6-CMR	CAT6 UTP Solid cable, CMR	23AWG	RAL7035	Box	305m(1000ft)	14.10KG
CLA04-UC6-LSZH	CAT6 UTP Solid cable, LSZH	23AWG	RAL7035	Box	305m(1000ft)	13.90KG
CLA04M-UC6	CAT6 UTP Stranded cable	24AWG	RAL7035	Box	305m(1000ft)	11.10KG

CAT 6 KEYSTONE JACKS

Part Number: JKS09-SC6



Part Number: JKA09-UC6



PRODUCT INTRODUCTION

The CAT6 keystone jacks, as the part of Linkbasic CAT6 solutions, exceeds all the requirements of CAT6 standard. It conforms to 1G system and applies to the connection of communication socket in the equipment room or working area. It provides 350MHz available.

CONSTRUCTION

Description	Parameter
Contact Resistance(max)	100mΩ
Insulation Resistance(min)	500MΩ
Return Loss(dB)	5.8dB

PRODUCT FEATURES

- Individual design with simple, compacted out looking.
- It complied with the human anthroponomy. Tool-less design for the shielded keystone jack.
- 110 type impact and punching tool for the unshielded keystone jack
- Special PCB circuit board design can reduce the interference and keep high allowance
- Zinc alloy shielding shell for the shielded keystone jack.
- High tensile PC materials for unshielded keystone jack.
- Available in T568A and T568B
- Contact: phosphor bronze with 6 to 50μgold plate
- 23AWG
- Contact insertion for 1500 times
- The termination protective cap at the back of the module with buckle lock type design, can guarantee the cable to avoid excessive bending after termination, or fall off and the protection of electric shock
- Fully compatible with RJ45 connector, suitable for CAT5E level or lower application



JKB06-UC6

CAT6 unshielded keystone jack

ORDER INFORMATION

Part Number	Description	Standard Color	Inner box	Carton	Carton measurement	Carton weight
JKS09-SC6	CAT6 shielded keystone jack	Silver	20PCS	200PCS	53cm*31cm*23cm	9.2KG
JKA09-UC6	CAT6 unshielded keystone jack	White	25PCS	250PCS	53cm*31cm*23cm	3.8KG
JKB06-UC6	CAT6 unshielded keystone jack	White	25PCS	250PCS	53cm*31cm*23cm	4.2KG

CAT 6 24-PORT PATCH PANEL

Part Number: CLA04-SC6PNA24-SC6



Part Number: CLA04-SC6PNA24-UC6



PRODUCT INTRODUCTION

The CAT6 patch panel is loaded with tool-less keystone jacks, which meet or exceed the transmission standard of CAT6. The performance is beyond CAT6 350 MHZ hardware connections standard and widely used in the horizontal cabling in equipment room and intermateable terminal.

PRODUCT FEATURES

- Individual design with simple, compacted out looking.
- It complied with the human anthroponomy. Tool-less design for the shielded keystone jack.
- 110 type impact and punching tool for the unshielded keystone jack
- Special PCB circuit board design can reduce the interference and keep high allowance
- Zinc alloy shielding shell for the shielded keystone jack.
- High tensile PC materials for unshielded keystone jack.
- Available in T568A and T568B
- Contact: phosphor bronze with 6 to 50µgold plate
- 23AWG
- Contact insertion for 1500 times
- The termination protective cap at the back of the module with buckle lock type design, can guarantee the cable to avoid excessive bending after termination, or fall off and the protection of electric shock
- Fully compatible with RJ45 connector, suitable for CAT5E level or lower application



PNS24-SC6

CAT6 shielded patch panel



PNS24-UC6

CAT6 unshielded patch panel



PND24-UC6

CAT6 unshielded patch panel

ORDER INFORMATION

Part Number	Description	Standard Color	Inner box	Carton	Carton measurement	Carton weight
PNA24-SC6	CAT6 shielded patch panel	Black	1pcs	10pcs	53cm*31cm*23cm	17KG
PNS24-SC6	CAT6 shielded patch panel	Black	1pcs	5pcs	53cm*31cm*23cm	10KG
PNA24-UC6	CAT6 unshielded patch panel	Black	1pcs	10pcs	53cm*31cm*23cm	10KG
PND24-UC6	CAT6 unshielded patch panel	Black	1pcs	10pcs	53cm*31cm*23cm	8.2KG
PNS24-UC6	CAT6 unshielded patch panel	Black	1pcs	5pcs	53cm*31cm*23cm	8.6KG

CAT 6 PATCH CORDS

Part Number: CAA01-SC6-*#



Part Number: CAA01-UC6-*#



*: patch cord length, 1=1m, 2=2m, 3=3m,
#: patch cord color: A=black, B=blue, C=red, D=orange, E=yellow,
F=gray, G=green

PRODUCT INTRODUCTION

Cat6 patch cord is made by LINKBASIC cat6 stranded cable and cat6 plug. The transmission performance is fully compatible to the cat6 standards. It can provide up to 350 MHZ bandwidth available, working together with LINKBASIC CAT6 keystone jack and patch panel.

PRODUCT FEATURES

- 6-50micron RJ-45 staggered gold plated connectors
- Fitted with strain relief boots
- With or without reports made to the order
- 100% tested wiring sequence and continuity
- Excellent attenuation and crosstalk characteristics
- Connector with staggered pin configuration to limit cross talk
- Exceed category 6 requirement
- They are available in a variety of the lengths

CAT 6 MODULAR PLUGS

DESCRIPTION

Boots offer cable-end color ID, strain relief and RJ45 plug tab protection from snagging on cables or connectors when routing in ceilings and under floors. Suitable for indoor installation.

FEATURES AND BENEFITS

- Materials: HDPE and metal shielding shell
- 50µgilded trigeminal reed

Part Number: RJB01-SC6



Part Number: RJB01-UC6



ORDER INFORMATION

Part Number	Description	Inner box	Carton	Carton measurement (LxWxH)
CAA01-SC6-*#	CAT6 FTP patch cord, PVC	1PCS	---	53cm*31cm*23cm
CAA01-SC6-LSZH-*#	CAT6 FTP patch cord, CMR	1PCS	---	53cm*31cm*23cm
CAA01-SC6-CMR-*#	CAT6 FTP patch cord, LSZH	1PCS	---	53cm*31cm*23cm
RJB01-SC6	CAT6 FTP Modular plugs	500PCS	5000PCS	53cm*31cm*23cm
CAA01-UC6-*#	CAT6 UTP patch cord, PVC	1PCS	---	53cm*31cm*23cm
CAA01-UC6-LSZH-*#	CAT6 UTP patch cord, CMR	1PCS	---	53cm*31cm*23cm
CAA01-UC6-CMR-*#	CAT6 UTP patch cord, LSZH	1PCS	---	53cm*31cm*23cm
RJB01-UC6	CAT6 UTP Modular plugs	500PCS	5000PCS	53cm*31cm*23cm

CAT5E SYSTEM PRODUCTS



P/N: PND24-UC5E

P/N: CLA04-UC5E

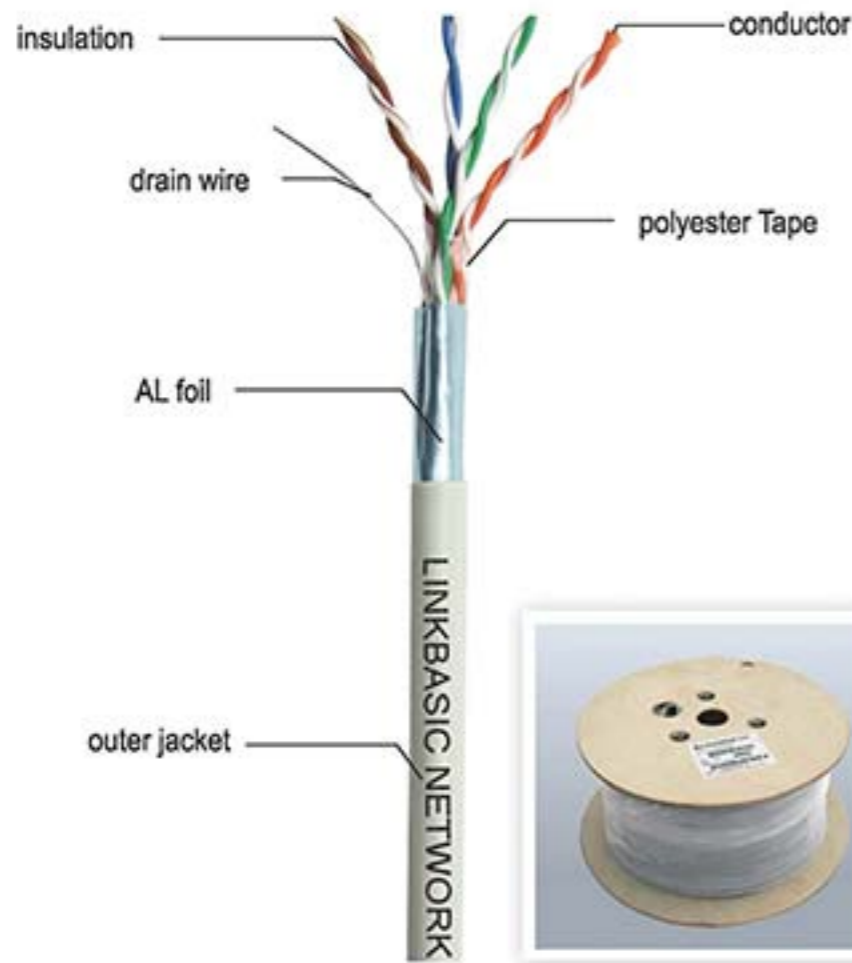
P/N: JKB06-UC5E

P/N: CAA01-UC5E-*-*#

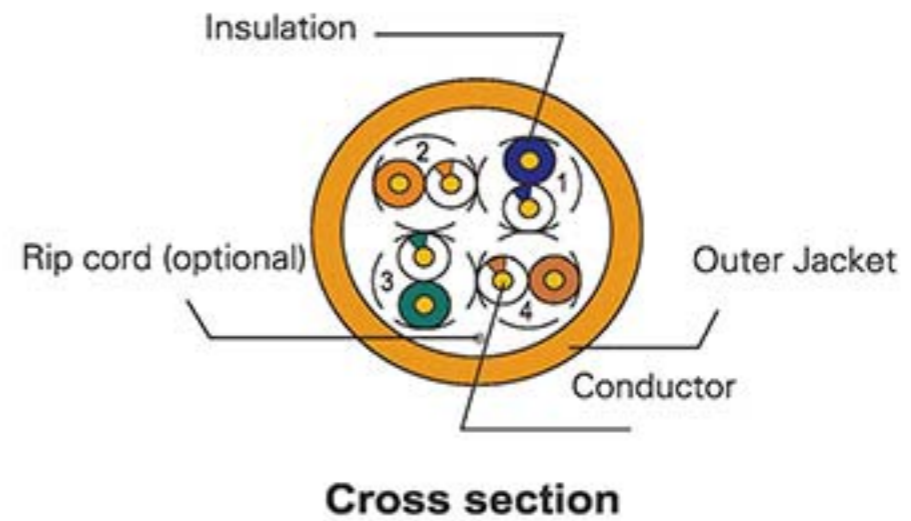
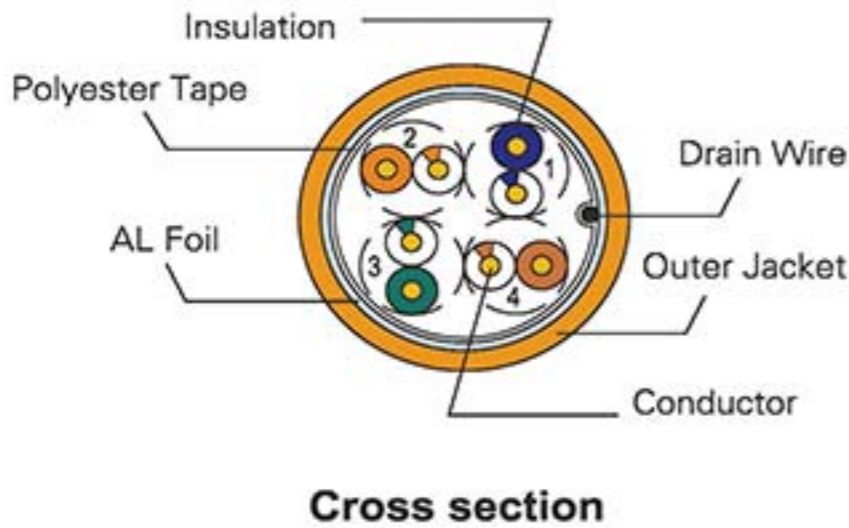
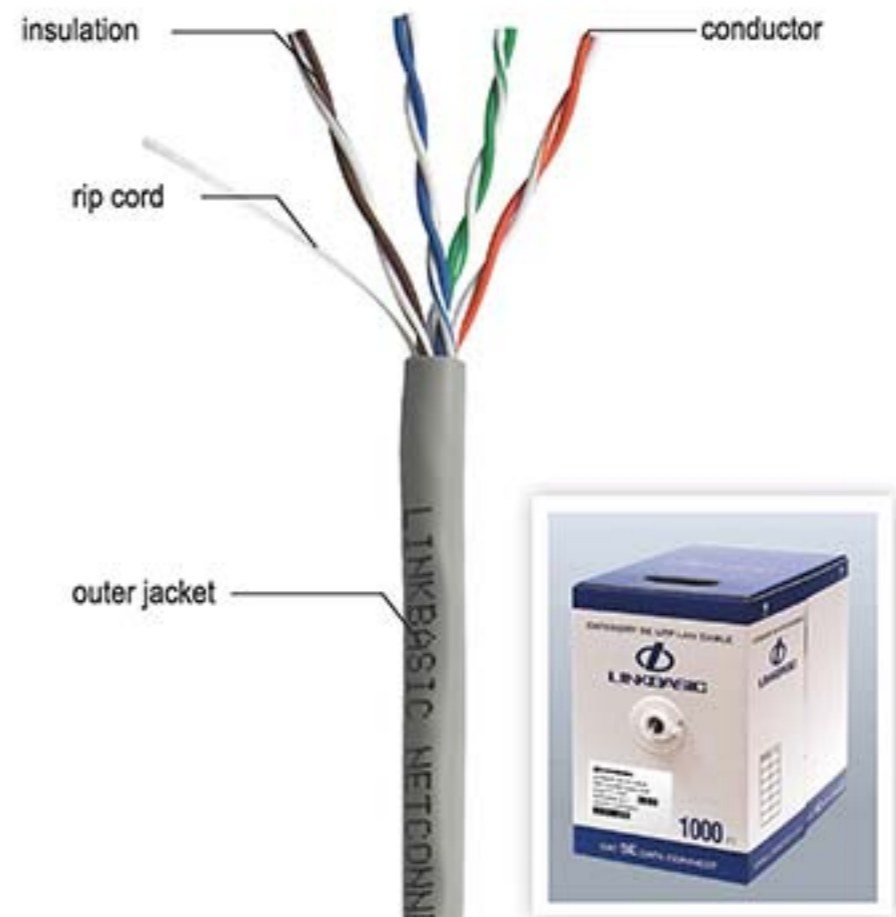
4 PAIRS TWISTED CAT5E CABLE	21-22
CAT5E KEYSTONE JACK	23
24 PORT CAT5E PATCH PANEL	24
CAT5E PATCH CORD	25
CAT5E RJ-45 PLUG	25

CAT 5E SOLID CABLE

Part Number: CLA04-SC5E



Part Number: CLA04-UC5E



DESCRIPTION

- Rated temperature: 70°C
- Reference standard: UL Subject 444, TIA-568-C.2&ISO/IEC 11801, IEC 61163

ELECTRICAL CHARACTERISTICS

Max. Mutual Capacitance@kHz	≤ 5.6nF/100m
Max. Capacitance unbalance	≤ 330pF/100m
Nominal Velocity of Propagation (NVP)	65%
Max. Delay Skew(ns/100m)	45ns/100m
Max. Conductor DC Resistance@20 Deg.C	7.02Ω/100m(23AWG)
Max. DC Resistance unbalance@20 Deg.C	≤ 2%
Min. Insulation resistance(MΩ/KM)	5000

CAT 8 SYSTEM PRODUCTS
CAT 6A SYSTEM PRODUCTS
CAT 6 SYSTEM PRODUCTS
CAT 5E SYSTEM PRODUCTS
TELECOMMUNICATION SERIES
COPPER SOLUTION PRODUCTS ACCESSORIES
FIBER OPTIC SOLUTION PRODUCTS
CABINET&ENCLOSURE

CONSTRUCTION

Structure	Numbers of pairs	4 pairs
	AWG	23 AWG
Insulation	Insulation material	HDPE
	Cross filler	YES
Outer jacket	Outer jacket material	PVC or LSZH
	Outer jacket ripcord	Based on customer request
	Outer Diameter(mm)	Shielded 6.2, unshielded 4.8

MECHANICAL CHARACTERISTICS

Operating Temp.Range	-20~70℃
Max. Recommended Pulling	110N
Pulling Tension Min Bend Radius	8 x O.D.
Flame Test	PVC

ORDER INFORMATION

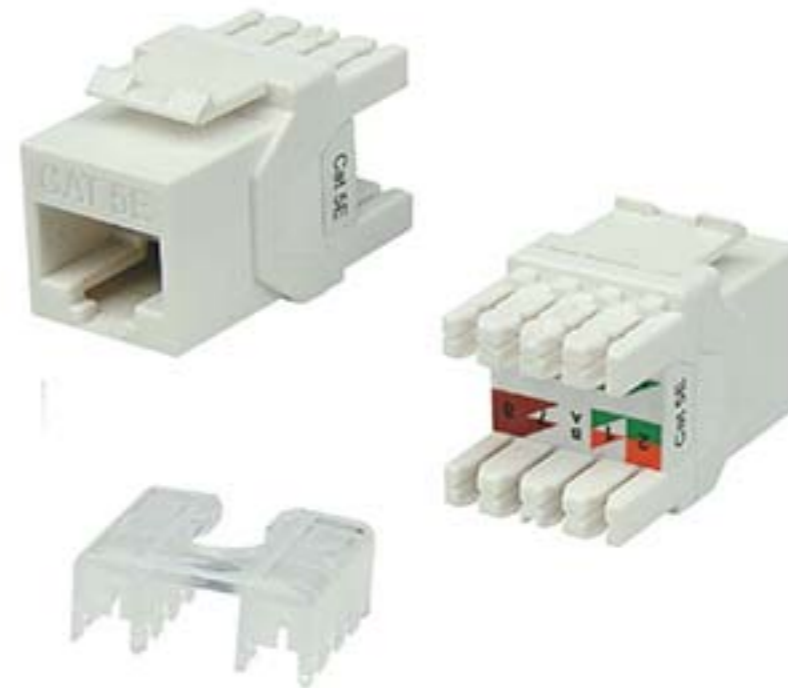
Part Number	Description	AWG	Standard Color	Packing Type	Length	Weight
CLA04-SC5E	CAT5E FTP solid cable, PVC	24AWG	RAL7035	Reel	305m(1000ft)	12.80KG
CLA04-SC5E-CMR	CAT5E FTP Solid cable, CMR	24AWG	RAL7035	Reel	305m(1000ft)	12.80KG
CLA04-SC5E-LSZH	CAT5E FTP Solid cable, LSZH	24AWG	RAL7035	Reel	305m(1000ft)	12.40KG
CLA04-SFC5E	CAT5E SFTP solid cable	24AWG	RAL7035	Reel	305m(1000ft)	19.90KG
CLA04-UC5E	CAT5E UTP Solid cable, PVC	24AWG	RAL7004	Box	305m(1000ft)	9.40KG
CLA04-UC5E-CMR	CAT5E UTP Solid cable, CMR	24AWG	RAL7004	Box	305m(1000ft)	9.40KG
CLA04-UC5E-LSZH	CAT5E UTP Solid cable, LSZH	24AWG	RAL7035	Box	305m(1000ft)	9.10KG
CLB04-UC5E	CAT5E outdoor, UV UTP Solid cable	24AWG	RAL9005	Box	305m(1000ft)	9.60KG
CLA04M-UC5E	CAT5E UTP Stranded cable	24AWG	RAL7004	Box	305m(1000ft)	9.10KG

CAT 5E KEYSTONE JACKS

Part Number: JKS09-SC5E



Part Number: JKA09-UC5E



PRODUCT INTRODUCTION

The CAT5E keystone jacks, as the part of Linkbasic CAT5E solutions, exceeds all the requirements of CAT5E standard provides cat5e system performance and user-friendly installation features. It can offer 250MHz bandwidth available.

PRODUCT FEATURES

- Individual design with simple, compacted out looking.
- It complied with the human anthropology. Tool-less design for the shielded keystone jack.
- 110 type impact and punching tool for the unshielded keystone jack
- Special PCB circuit board design can reduce the interference and keep high allowance
- Zinc alloy shielding shell for the shielded keystone jack.
- High tensile PC materials for unshielded keystone jack.
- Available in T568A and T568B
- Contact: phosphor bronze with 6 to 50μgold plate
- 24AWG
- Contact insertion for 1500 times
- The termination protective cap at the back of the module with buckle lock type design, can guarantee the cable to avoid excessive bending after termination, or fall off and the protection of electric shock
- Fully compatible with RJ45 connector, suitable for CAT5E level or lower application

CONSTRUCTION

Description	Parameter
Contact Resistance(max)	100mΩ
Insulation Resistance(min)	500MΩ
Return Loss(dB)	5.5dB



JKB06-UC5E

CAT5E unshielded keystone jack

ORDER INFORMATION

Part Number	Description	Standard Color	Inner box	Carton	Carton measurement (LxWxH)	Carton weight
JKS09-SC5E	CAT5E shielded keystone jack	Silver	20PCS	200PCS	53cm*31cm*23cm	9.20KG
JKA09-UC5E	CAT5E unshielded keystone jack	White	25PCS	250PCS	53cm*31cm*23cm	3.80KG
JKB06-UC5E	CAT5E unshielded keystone jack	White	25PCS	250PCS	53cm*31cm*23cm	4.20KG

CAT 5E 24-PORT PATCH PANEL

Part Number: PNA24-SC5E



Part Number: PND24-UC5E



PRODUCT INTRODUCTION

The CAT5E patch panel is loaded with keystone jacks, which meet or exceed the transmission standard of CAT5E. The performance is beyond CAT5E 250 MHZ hardware connections standard and widely used in the horizontal cabling in equipment room and intermateable terminal.

PRODUCT FEATURES

- Individual design with simple, compacted out looking.
- Available in T568A and T568B
- Contact: phosphor bronze with 6 to 50µgold plate assuring the 250 times insertion
- The termination protective cap at the back of the module with buckle lock type design, can guarantee the cable to avoid excessive bending after termination, or fall off and the protection of electric shock
- Fully compatible with RJ45 connector, suitable for CAT5E level or lower channel
- Contact insertion for 1500 times
- Strong and easy to install designed to reduce the cost of installation and operation
- Ergonomic free line design, easy to use
- Compatible with 19-inch equipment racks, cabinets and wall mount
- Symbol all the ports at front parts
- Cable management can effective to channel cable to the contact



CAT5E shielded keystone jack



CAT5E unshielded patch panel



CAT5E unshielded patch panel

ORDER INFORMATION

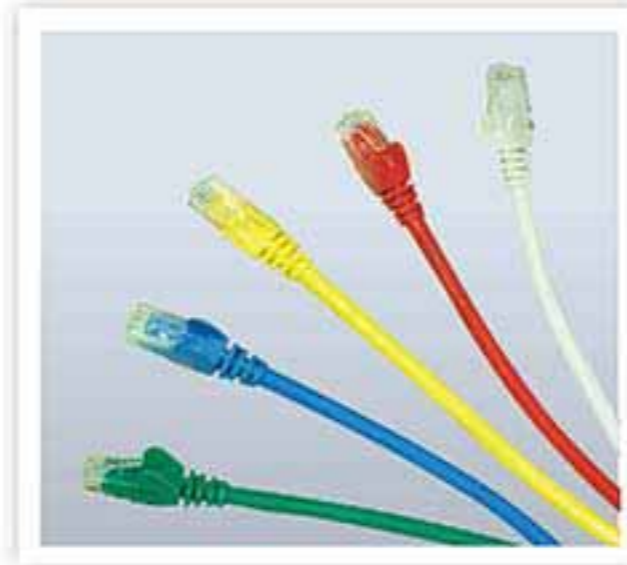
Part Number	Description	Standard Color	Inner box	Carton	Carton measurement (LxWxH)	Carton weight
PNS24-SC5E	CAT5E shielded patch panel	Black	1PCS	5PCS	53cm*31cm*23cm	9.20KG
PNA24-SC5E	CAT5E shielded patch panel	Black	1PCS	10PCS	53cm*31cm*23cm	5.60KG
PND24-UC5E	CAT5E unshielded patch panel	Black	1PCS	10PCS	53cm*31cm*23cm	3.80KG
PNA24-UC5E	CAT5E unshielded patch panel	Black	1PCS	10PCS	53cm*31cm*23cm	4.20KG
PNS24-UC5E	CAT5E unshielded patch panel	Black	1PCS	5PCS	53cm*31cm*23cm	8.50KG

CAT 5E PATCH CORDS

Part Number: CAA01-SC5E-*-#



Part Number: CAA01-UC5E-*-#



*: patch cord length, 1=1m, 2=2m, 3=3m,
#: patch cord color: A=black, B=blue, C=red, D=orange,
E=yellow, F=gray, G=green

PRODUCT INTRODUCTION

Cat5E patch cord is made by LINKBASIC cat5E stranded cable and cat5E plug. The transmission performance is fully compatible to the cat6 standards. It can provide up to 250 MHz bandwidth available, apply together with LINKBASIC CAT5E keystone jack and patch panel.

PRODUCT FEATURES

- 6-50micron RJ-45 staggered gold plated connectors
- Fitted with strain relief boots
- With or without reports made to the order
- 100% tested wiring sequence and continuity
- Excellent attenuation and crosstalk characteristics
- Connector with staggered pin configuration to limit cross talk
- Exceed category 5E requirement
- They are available in a variety of the lengths

CAT 5E MODULAR PLUGS

PRODUCT INTRODUCTION

Boots offer cable-end color ID, strain relief and RJ45 plug tab protection from snagging on cables or connectors when routing in ceilings and under floors, Suitable for indoor installation.

PRODUCT FEATURES

- Materials: HDPE and metal shielding layer
- 50µgilded trigeminal reed

Part Number: RJB01-SC5E



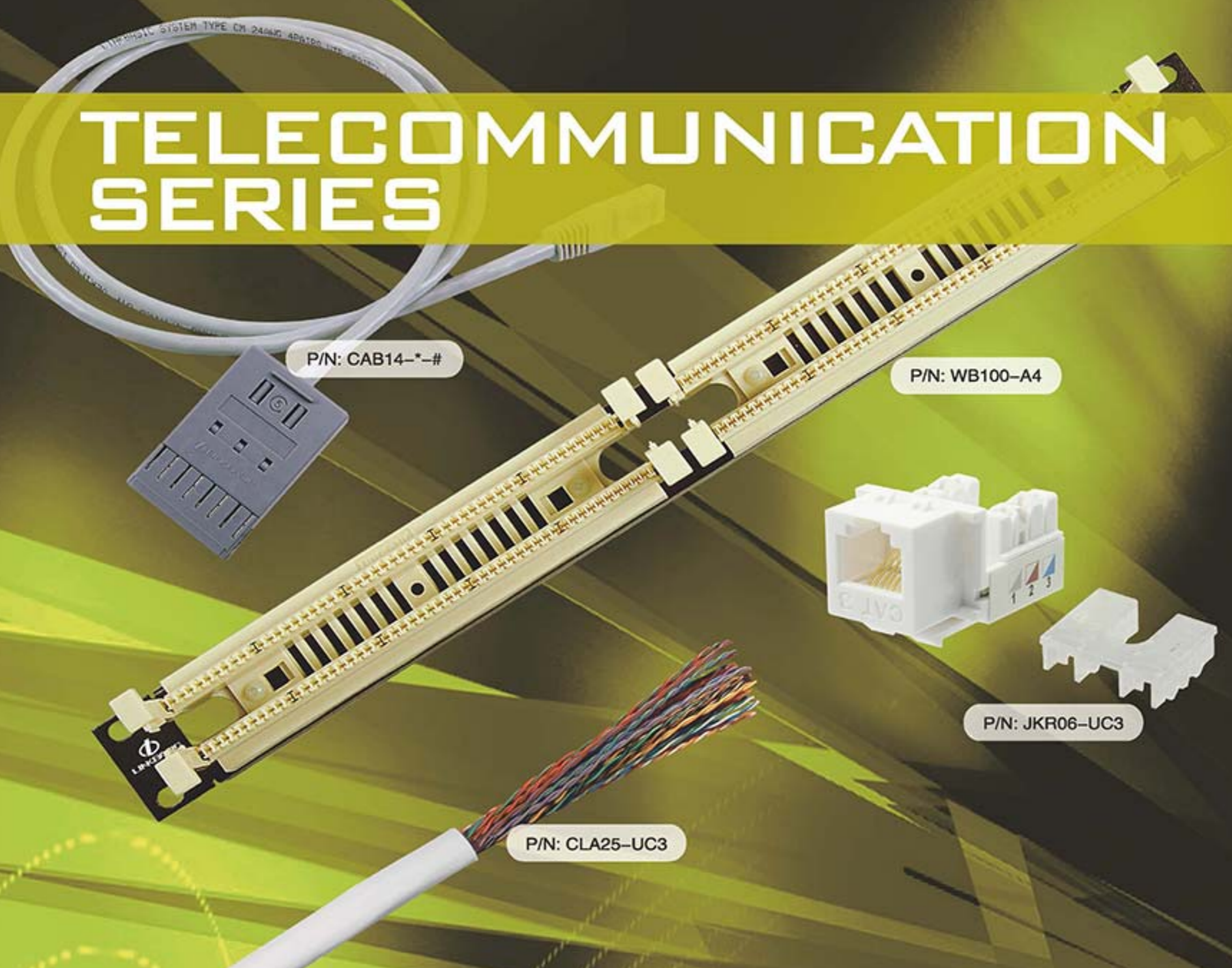
Part Number: RJB01-UC5E



ORDER INFORMATION

Part Number	Description	Inner box	Carton	Carton measurement
CAA01-SC5E-*-#	CAT5E FTP patch cord, PVC	1PCS	---	53cm*31cm*23cm
CAA01-SC5E-LSZH-*-#	CAT5E FTP patch cord, CMR	1PCS	---	53cm*31cm*23cm
CAA01-SC5E-CMR-*-#	CAT5E FTP patch cord, LSZH	1PCS	---	53cm*31cm*23cm
RJB01-SC5E	CAT5E FTP Modular plugs	500PCS	5000PCS	53cm*31cm*23cm
CAA01-UC5E-*-#	CAT5E UTP patch cord, PVC	1PCS	---	53cm*31cm*23cm
CAA01-UC5E-LSZH-*-#	CAT5E UTP patch cord, CMR	1PCS	---	53cm*31cm*23cm
CAA01-UC5E-CMR-*-#	CAT5E UTP patch cord, LSZH	1PCS	---	53cm*31cm*23cm
RJB01-UC5E	CAT5E UTP Modular plugs	500PCS	5000PCS	53cm*31cm*23cm

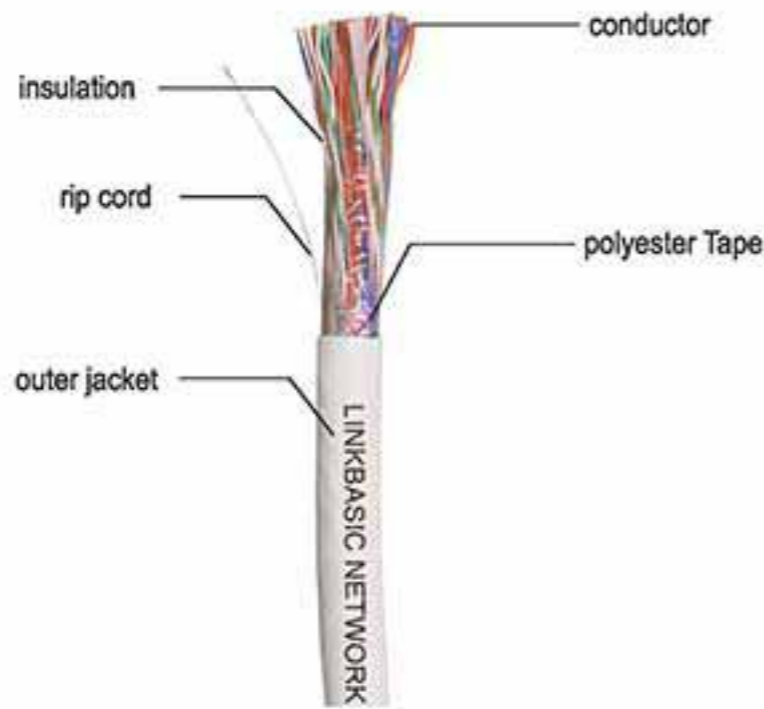
TELECOMMUNICATION SERIES



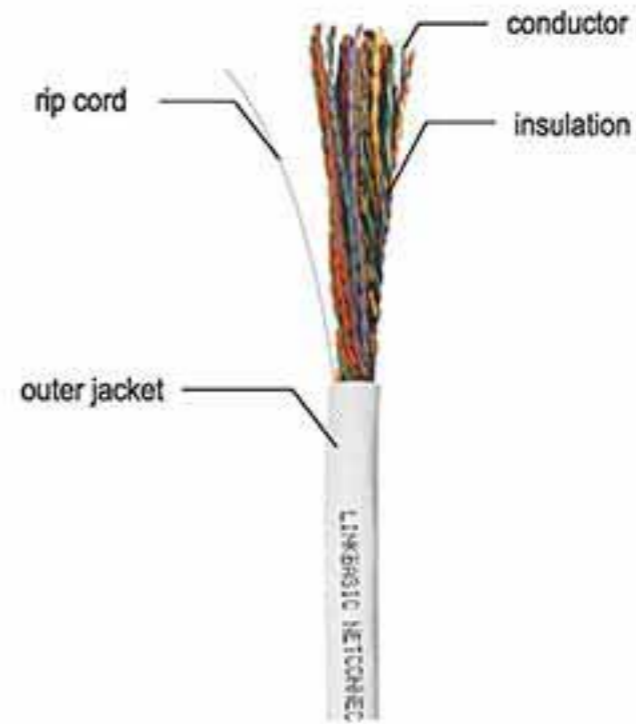
TELECOMMUNICATION CABLE	27
VOICE KEYSTONE JACK	28
VOICE PATCH PANEL	28
110 WRING BLOCKS	29
RJ11 MODULAR PLUG	29

VOICE UTP MULTIPAIR SOLID CABLE

Part Number: CLA25-UC5



Part Number: CLA25-UC3



PRODUCT FEATURES

- 6-50micron RJ-45 staggered gold plated connectors
- Fitted with strain relief boots
- With or without reports made to the order

ELECTRICAL CHARACTERISTICS

Max.Mutual Capacitance@kHz	≤ 5.6nF/100m
Max. Capacitance unbalance	≤ 330pF/100m
Nominal Velocity of Propagation (NVP)	65%
Max. Delay Skew(ns/100m)	≤ 45ns/100m
Max. Conductor DC Resistance@20 Deg.C	9.38Ω/100m(24AWG)
Max. DC Resistance unbalance@20 Deg.C	≤ 2%
Min. Insulation resistance(MΩ/KM)	5000

CONSTRUCTION

Structure	Numbers of pairs	25 or 50 pairs
	AWG	24AWG
Outer jacket	Outer jacket material	PVC or LSZH
	Outer jacket ripcord	Per customer request
	Outer Diameter(mm)	Per customer request

MECHANICAL CHARACTERISTICS

Operating Temp.Range	-20~70°C
Bulk Cable Weight(KG)	173KG
Min Bend Radius	92mm.
Flame Test	PVC

ORDER INFORMATION

Part Number	Description	AWG	Standard Color	Packing Type	Length	Wooden tray size	Weight
CLA01	1 Pair UTP solid cable	24AWG	RAL7004	Box	500m	53cm× 31cm × 23cm	5.90KG
CLA02-UC3	CAT3 2 pairs UTP Solid cable,	24AWG	RAL7004	Box	305m(1000ft)	53cm× 31cm × 23cm	5.80KG
CLA25-UC3	CAT3 25 pairs UTP Solid cable,	24AWG	RAL7035	Reel	305m(1000ft)	Φ55cm× H40cm	55.40KG
CLA50-UC3	CAT3 50 pairs UTP solid cable	24AWG	RAL7035	Reel	305m(1000ft)	Φ55cm× H56cm	108.00KG
CLA100-UC3	CAT3 100 pairs UTP cable	24AWG	RAL7035	Reel	305m(1000ft)	Φ90cm× H54cm	210.00KG
CLA25-UC5	CAT5 25 pairs UTP solid cable	24AWG	RAL7035	Reel	305m(1000ft)	Φ70cm× H40cm	58.80KG

VOICE UTP KEYSTONE JACKS

CAT 8
SYSTEM PRODUCTS

CAT 6A
SYSTEM PRODUCTS

CAT 6
SYSTEM PRODUCTS

CAT 5E
SYSTEM PRODUCTS

TELECOMMUNICATION
SERIES

COPPER SOLUTION
PRODUCTS
ACCESSORIES

FIBER OPTIC
SOLUTION PRODUCTS

CABINET/ENCLOSURE

Part Number: JKR06-UC3



DESCRIPTION

Boots offer cable-end color ID, strain relief and RJ45 plug tab protection from snagging on cables or connectors when routing in ceilings and under floors, Suitable for indoor installation.

PRODUCT FEATURES

- Compact jack design, 6 positions and 6 conductors, 1500 times insertion
- Contact: phosphor bronze with 6 to 50µgold plate
- Accept 22-26AWG solid with a insulation diameter of 0.4-0.6mm

VOICE PATCH PANEL

Part Number: PNT25-UC3



Part Number: PNT50-UC3



DESCRIPTION

Linkbasic voice patch panel is the perfect solution for bringing voice to your cable rack, pre-configured in 25 and 50 ports densities and designed specifically for voice application.

PRODUCT FEATURES

- Design to mount to any standard 19"rack or cabinet
- Black Electrostatic Powder-coated steel: phosphor bronze with tinplating over nickel
- 110&krone punch down tools are available
- Accept 22-26AWG solid cable, 250 times insertion
- 25 ports and 50 ports optional
- Metal sheet: Corrosion resistant steel

ORDER INFORMATION

Part Number	Description	Standard Color	Inner box	Carton	Carton measurement (LxWxH)	Carton weight
JKR06-UC3	Communication keystone jack	White	25PCS	250PCS	53cm*31cm*23cm	4.00KG
PNT25-UC3	25 ports voice patch panel	Black	1PCS	5PCS	53cm*31cm*23cm	8.50KG
PNT50-UC3	50 ports voice patch panel	Black	1PCS	5PCS	53cm*31cm*23cm	10.20KG

110 WRING BLOCKS

Part Number: WB100-A4



DESCRIPTION

- PC materials, almond color.
- Wiring blocks are designed to support voice and high-speed data application. The terminal blocks accommodate 22-26 AWG with an insulation diameter of 0.4-0.64mm
- IDC contact material: phosphor bronze with tin plating over nickel
- Available with T568A and T568B wiring pattern.

FEATURES

Wall mount 110 wiring blocks create compact, adaptable 110 termination field for voice and data by mounting 110 wiring bases to the wall or a backboard. Bases come in 50-, 100-, or 300- pair densities. The 50-pair bases may be ordered with or without legs which provide more space for cable

VOICE RJ11 MODULAR PLUGS

Part Number: RJR01-UC3



FEATURES

The plugs are tested and verified to meet and exceed the connecting hard performance requirement. They are used in a cross connect field to provide modularity and quick termination to connecting blocks or as an interconnection method.

FEATURES AND BENEFITS

- Materials: HDPE
- 50µgilded reed

ORDER INFORMATION

Part Number	Description	Standard Color	Inner box	Carton	Carton measurement(LxWxH)	Carton weight
WB100-A4	110 pair rank mount wring block	Beige	1PCS	10PCS	53cm*31cm*23cm	9.00KG
RJR01-UC3	RJ11 modular plug	Transparent	100PCS	1000PCS	54cm*49cm*22cm	6.80KG
CAC11-*#	110 style 1 pair patch cord	---	1PCS	---	---	---
CAC22-*#	110 style 2 pair patch cord	---	1PCS	---	---	---
CAC44-*#	110 style 4 pair patch cord	---	1PCS	---	---	---
CAB14-*#	RJ45-110 4 pair patch cord	---	1PCS	---	---	---
CAB11-*#	RJ45-110 1 pair patch cord	---	1PCS	---	---	---

COPPER SOLUTION ACCESSORIES



P/N: MTC04



P/N: OUD01



P/N: TLA05

FACEPLATE	31-32
EMPTY PANEL	33
CABLE MANAGEMENT	33
TOOLS	34-35
PLUG BOOTS-RJ11	35

FACEPLATE

UK STYLE FACEPLATE

Part Number: OUD21



Part Number: OUD22



Part Number: OUD24



Part Number: OUE22



US STYLE FACEPLATE

Part Number: OUS01



Part Number: OUS02



Part Number: OUS03



Part Number: OUS04



Part Number: OUS06



FRENCH STYLE FACEPLATE

Part Number: OUH21



Part Number: OUH22



Part Number: OUH11



Part Number: OUH12



DESCRIPTION

- High-impact ABS plastic
- Accept all keystone jack insertion.
- Standard 110 type IDC termination makes installation fast and easy

FEATURES

- One, two, four and six ports
- Designed for cat5e or cat6 performance and meet EIA/TIA specifications
- Fit for RJ45 keystone jack outlet plates
- Packing includes the modular faceplate and two mounting screws for installation
- Material: PC or ABS
- Color: white or Ivory

FACEPLATE

GERMAN STYLE FACEPLATE

Part Number: OUG12-WH



Part Number: OUG22-WH



Part Number: OUG01-GR



BACK BOX

Part Number: OUX86-1



Part Number: OUX86-3



ORDER INFORMATION

Part Number	Description	Standard Color	Inner box	Carton	Carton measurement (LxWxH)
OULD21	One port UK faceplate	White	15PCS	150PCS	53CM*31CM*23CM
OULD22	Two port UK faceplate	White	15PCS	150PCS	53CM*31CM*23CM
OULD24	Four port UK faceplate	White	15PCS	150PCS	53CM*31CM*23CM
OUE22	Two port Angle UK faceplate	White	15PCS	150PCS	53CM*31CM*23CM
OUS01	Wall style 1-port faceplate	White	20PCS	200PCS	53CM*31CM*23CM
OUS02	Wall style 2-port faceplate	White	20PCS	200PCS	53CM*31CM*23CM
OUS03	Wall style 3-port faceplate	White	20PCS	200PCS	53CM*31CM*23CM
OUS04	Wall style 4-port faceplate	White	20PCS	200PCS	53CM*31CM*23CM
OUS06	Wall style 6-port faceplate	White	20PCS	200PCS	53CM*31CM*23CM
OUH21	French 1-port straight Faceplate	White	25PCS	250PCS	53CM*31CM*23CM
OUH22	French 2-port straight Faceplate	White	25PCS	250PCS	53CM*31CM*23CM
OUH11	French 1-port oblique Faceplate	White	20PCS	200PCS	53CM*31CM*23CM
OUH12	French 2-port oblique Faceplate	White	20PCS	200PCS	53CM*31CM*23CM
OUG12-WH	80 style 2-port shielded dustproof Faceplate	White	15PCS	150PCS	53CM*31CM*23CM
OUG22-WH	80 style 2-port oblique shielded dustproof Faceplate	White	1PCS	80PCS	53CM*31CM*23CM
OUG01-GR	1P industry style Faceplate Grey	White	20PCS	200PCS	53CM*31CM*23CM
OUX86-1	China std. Mount box, unhide	White	---	100PCS	53CM*31CM*23CM
OUX86-3	China std. Mount box, hide	White	---	---	53CM*31CM*23CM

EMPTY PATCH PANEL

Part Number: PNA24-KJ



Part Number: PNA24-KJ3



PRODUCT INTRODUCTION

All the keystone jacks are compatible to the empty panel. The empty patch panels are widely used in the horizontal cabling in equipment room.

FUNCTIONAL FEATURES

- Individual design with simple, compacted out looking.
- 6 ports per module.
- Labels and signs in the front of parts
- PNA24-KJ3 can save space in cabinet.
- 0.5U patch panel has High-density, Compatible shielding, non shielding systems and Cat5e, Cat6, Cat6A

ORDER INFORMATION

Part Number	Description	Standard Color	Inner box	Carton	Carton measurement (LxWxH)	Carton weight
PNA24-KJ	Empty patch panel	Black	1PCS	10PCS	53cm*31cm*23cm	7.80KG
PNA24-KJ3	Angled empty patch panel	Black	1PCS	5PCS	53cm*29cm*26cm	---

HORIZONTAL CABLE MANAGEMENT

Part Number: MTC04



Part Number: MTD06



Part Number: MTE01



PRODUCT INTRODUCTION

The horizontal cable management can be used with all patch panels, rack and cabinet mount products. It mounts on standard 19" racks or cabinets and provided a clean and simple means of organizing from small to large bundles of cables and patch cords.

FUNCTIONAL FEATURES

- Standard EIA 19" rack and cabinet mount
- Management improves the look of a closet or workstation, it is an essential element for easy add, move, or change, it is also crucial to maintaining cable integrity by ensuring resisted steel and ABS.
- Light weight, easy to install or remove.
- The panel is configured with 24 fingers.
- Black color is popular in the equipment room.

ORDER INFORMATION

Part Number	Description	Standard Color	Inner box	Carton	Carton measurement (LxWxH)	Carton weight
MTC04	1U cable management, plastic	Black	1PCS	10PCS	53cm*31cm*23cm	4.80KG
MTD06	1U cable management, metal	Black	1PCS	10PCS	54cm*31cm*23cm	22.00KG
MTE01	Panel with brush	Black	1PCS	10PCS	53cm*31cm*23cm	4.80KG

TOOLS

DESCRIPTION

The 110 single pair impact tool is designed to seat 110 connecting blocks and terminated and cut cable on 110 wiring blocks. Saving time and money, the tool features an easy way to hold, ergonomically designed handle that helps reduce fatigue when trimming wire or seating connection blocks to the wiring base.

FEATURES

- Designed to terminate wires on 110 clips.
- Comfortable ergonomic grip



TLA11
5-pairs 110 style impact tools

DESCRIPTION

The 110 5 pairs impact tool is designed to seat 110 connecting blocks and terminate and cut UTP cable on 110 wiring blocks. Saving time and money, it makes large termination jobs small by greatly reducing the number of punch cycles. Cartridge is adjustable to cut/no-cut positions and terminates 22-26 AWG solid and stranded wires with single insulation. Tool also has twist and lock head.

FEATURES

- Steel material, plastic handle.
- Black color.



TLB01
5-pairs 110 style impact tools

DESCRIPTION

- Crimp and cut the wires of RJ45 connector.
- Maintain accurate alignment of the die with the plug for a precision crimp every time.

FEATURES

- Steel material, plastic handle.
- Black color.



TLC03
RJ45 crimp tools

DESCRIPTION

- Crimp and cut the wires of RJ45 and RJ11 connector.
- Maintain accurate alignment of the die with the plug for a precision crimp every time.

FEATURES

- For cutting modular plug RJ45 and RJ11
- Light weight, middle carbon steel material, and durable compact tool
- With round or flat cable stripper
- Replacement cutting blades available.



TLC11
RJ45 and RJ11 crimp tools

DESCRIPTION

The parallel action design maintain accurate alignment of the die with the plug for a precision crimp every time.

FEATURES

- Cut& strip by one operation easy and effective
- Replacement cutting blades available.
- Quick release safety latch



TLD01
Cable stripper

DESCRIPTION

- This Ethernet cable tester quickly and easily checks for cable continuity, mis-wiring, open, short, straight-through or cross pinning.
- For LAN cable, telephone cable, coaxial cable 10 base-2.
- Twins type tester.



CSA01
Cable tester

TOOLS

DESCRIPTION

Good out looking and quality. Easy handling.
Fit for all Linkbasic unshielded keystone jack and voice jack.

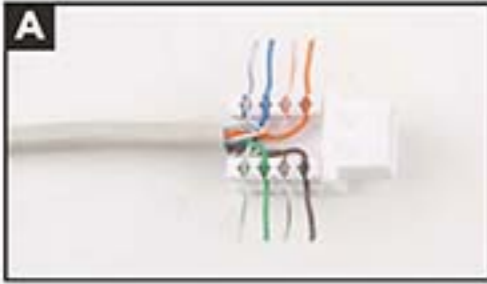
FEATURES

- Equip two jack punching connectors, one is 90 degree and the other is 180 degree.
- Steel material, plastic handle. Blue color.



TLA05
Crimp jack tool

INSTALLATION GUIDELINE



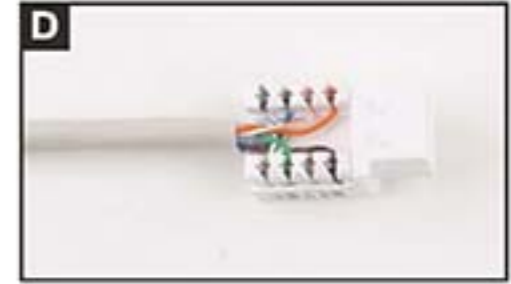
put the cable into the channel matched



put the keystone jack in the tool



punching down the cable



finished

ORDER INFORMATION

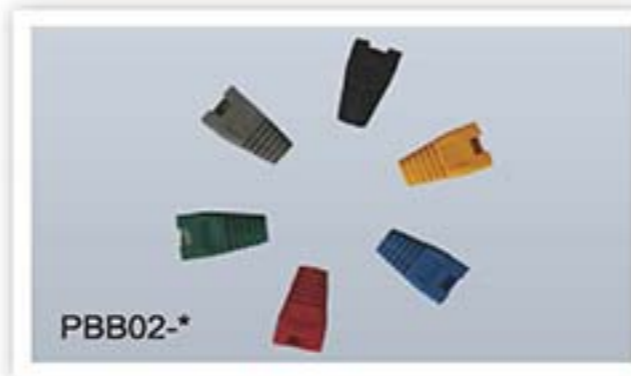
Part Number	Description	Standard Color	Inner box	Carton	Carton measurement (LxWxH)	Carton weight
TLA11	Single pair 110 style impact too	Blue	5PCS	50PCS	62cm*29cm*30cm	8.00KG
TLB01	5 pairs 110 style impact tool	Black	5PCS	50PCS	66cm*33cm*30cm	27.00KG
TLC11	RJ45 and RJ11 crimp tool	Black	5PCS	50PCS	53cm*31cm*23cm	29.20KG
TLC03	RJ45 crimp tool	Black	5PCS	50PCS	53cm*31cm*23cm	15.00KG
TLD01	Cable stripper	Black	10PCS	50PCS	53cm*31cm*23cm	6.00KG
CSA01	Cable tester	White	1PCS	50PCS	53cm*31cm*23cm	8.00KG
TLA05	Crimp jack tool	Blue	---	---	---	---

PLUG BOOTS



PBB01-*

RJ45 plug boots



PBB02-*

RJ45 plug boots



PBB04-*

RJ45 plug boots

DESCRIPTION

- Simple design, comfortable ergonomic grip
- Color, A=black, B=blue, C=red, D= orange, E= yellow, F= gray, G= green

ORDER INFORMATION

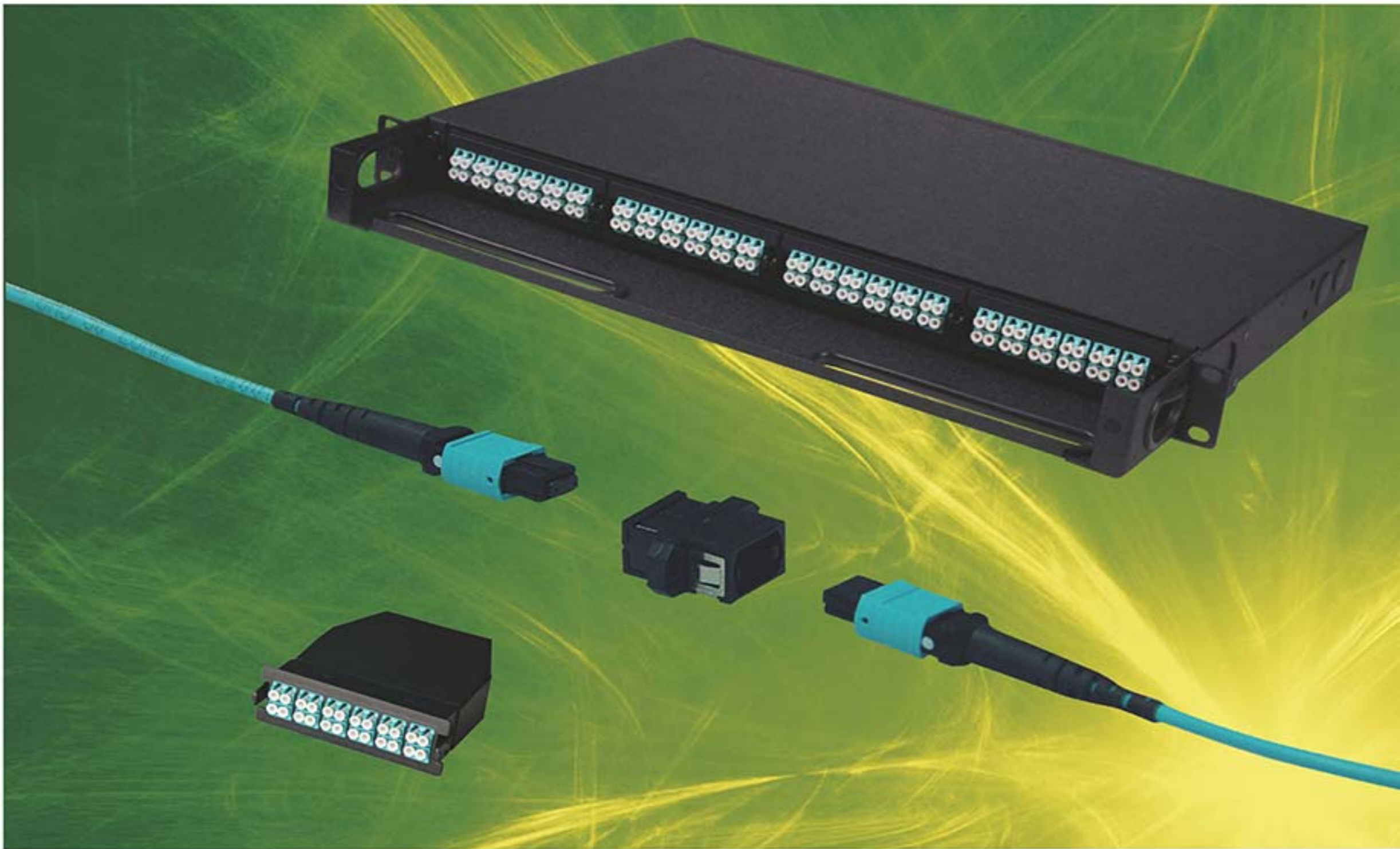
Part Number	Description	Standard Color	Inner box
PBB01-*	RJ45 plug boots	---	100PCS
PBB02-*	RJ45 plug boots	---	100PCS
PBB04-*	RJ45 plug boots	---	100PCS

FIBER OPTIC SOLUTION PRODUCTS



MPO PRE-TERMINATED FIBER SOLUTION	37-40
INDOOR FIBER OPTICAL CABLE	41
OUTDOOR FIBER OPTICAL CABLE	42-43
BOW-TYPE DROP CABLE	44
FIBER FACEPLATE, ADAPTER	45-46
FIBER SHELF	47
FIBER PATCH CORD	48-49
SC QUICK CONNECTOR	49

MPO PRE-CONNECT FIBER CABLE SOLUTION



LINKBASIC fiber solution adopts modular and pre-terminated structure to meet updating datacenter requirement for bandwidth, stability, high density and flexibility. Linkbasic data center solution not only simplifies cabling process, but also improves safety and stability, guarantees good flexibility and support high speed requirement in future. Adopting Linkbasic fiber solution, customers can gain advantage comparing to competitors, improve network service quality. Pre-terminated fiber system target requirement of datacenter, have following three advantages:

- 1.High density: Pre-terminated fiber cable contains 12-288 cores. 1U pre-terminated fiber shelf loads 4 cassettes and max 96 cores, which offer higher density than traditional fiber shelf
- 2.Easy to be assembly: Plug-in-& plug out design. No need fusion on field. No need special splicing tools and technicians. Saving 80% time than traditional fusion splicing fiber shelf. Friendly for network management and updating
3. High stability: Factory-terminated connectors can pass critical optical test. Designed to resist compression and tensile

MPO PRO-CONNECT TRUNK FIBER CABLE

PRODUCT INTRODUCTION

Comply with standard TIA-568C.3-2008 and YD/T1272.5-2009. Widely used in IDC and building's pre-terminated fiber system. Meet 10G Ethernet transmissions and also ready for 40G/100G updating in future. MPO trunk cable is suitable for fast installation in Data Center and other fiber optic infrastructure. Efficient plug-in design significantly lower installation time and daily maintenance costs. Working with fiber cassette and fan-out cable between MDA, HDA, EDA. Linkbasic MPO Trunk cable provides low insertion-loss and high return-loss; fully comply with modern high speed network system.

PRODUCT CHARACTERISTICS

- Factory-terminated MPO connectors have guaranteed performance.
- Tensile resistant design can endure 400 N during installation or short term 100 N/CM
- 12 to 144 cores, OM3, OM4, OS1 and OS2 fiber optic cable, length in meters.
- Circle, small outside diameter structure for easily preservation and cable laying.
- OFNR pass UL-1666 flaming test. OFNP pass UL-910 flaming test,
- LSZH meets IEC 60332-1 and IEC60332-3 standard requirement



ORDER INFORMATION

Part number	Description	Inner package
FAM66-12-OM3-*	Multi mode 12cores MPO-MPO trunk cable	1PCS
FAM66-12-OM4-*	Multi mode 12cores MPO-MPO trunk cable	1PCS
FAS66-12-OS1-*	Single mode 12cores MPO-MPO trunk cable	1PCS
FAS66-12-OS2-*	Single mode 12cores MPO-MPO trunk cable	1PCS
FAM66-24-OM3-*	Multi mode 24core MPO-MPO trunk cable	1PCS
FAM66-24-OM4-*	Multi mode 24cores MPO-MPO trunk cable	1PCS
FAS66-24-OS1-*	Single mode 24cores MPO-MPO trunk cable	1PCS
FAS66-24-OS2-*	Single mode 24cores MPO-MPO trunk cable	1PCS

* * * =length

MPO-LC FIBER PATCH CORDS

DESCRIPTION

Comply with TIA-568C.3-2008 and YD/T1272.5-2009(optical fiber connector part v: MPO), widely used in IDC and building's pre-terminated fiber system, comply with 10G Ethernet transmissions.



PRODUCT CHARACTERISTICS

- LINKBASIC pre-terminated fiber patch cord is equipped with MPO and LC connectors at each end
- Factory-terminated MPO connectors have guaranteed performance. Tensile resistant design can endure 400N during installation or short term 100N(CM)
- Each port are tested at factory, which ensure high stability
- 12 or 24 cores, OM3, OM4, OS1 and OS2 fiber optic cable, length in meters.
- Outer jacket available in OFNP, ONFR and LSZH, etc
- High density in wiring panels
- Suitable for HDA and EDA cabling
- Application: Connecting with MPO adapter and LC port

ORDER INFORMATION

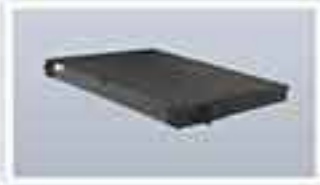
Part number	Description	Inner Package
FAM65-12-OM3-*	Multi mode 12cores MPO-LC fiber patch cord	1PCS
FAM65-12-OM4-*	Multi mode 12cores MPO-LC fiber patch cord	1PCS
FAS65-12-OS1-*	Single mode 12cores MPO-LC fiber patch cord	1PCS
FAS65-12-OS2-*	Single mode 12cores MPO-LC fiber patch cord	1PCS
FAM65-24-OM3-*	Multi mode 24cores MPO-LC fiber patch cord	1PCS
FAM65-24-OM4-*	Multi mode 24cores MPO-LC fiber patch cord	1PCS
FAS65-24-OS1-*	Single mode 24cores MPO-LC fiber patch cord	1PCS
FAS65-24-OS2-*	Single mode 24cores MPO-LC fiber patch cord	1PCS

* * * =length

MPO FIBER SHELF

DESCRIPTION

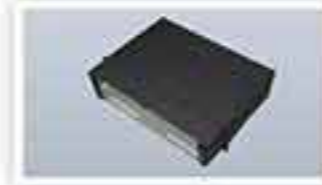
MPO fiber optical shelf is suitable for Data center fiber backbone connection and management between MDA, IDA or HDA. Can be installed in 19" rack. Working with MPO modular cassette or MPO adapter panel



FPM01-4-A



FPM02-8-A



FPM03-12-A

PRODUCT CHARACTERISTICS

- 1U MPO shelf load 4 MPO Cassette Modules, which organize 96 fiber cores with LC duplex adapter, or 48 cores with SC simplex adapter, or 288 cores with MPO adapter
- 2U MPO shelf load 8 MPO Cassette Modules, which organize 192 fiber cores with LC duplex adapter, or 96 cores with SC simplex adapter, or 576 cores with MPO adapter
- 3U MPO shelf load 12 MPO Cassette Modules, which organize 288 fiber cores with LC duplex adapter, or 144 cores with SC simplex adapter, or 864 cores with MPO adapter
- Produced by cold-rolled steel
- Surface finish: degreasing, pickling, phosphoric, water cleaning, electrostatic powder coating(thickness 80µm-100µm), comply with ROHS
- With front cable management
- Modular design save space in cabinet and enhance efficiency for cable management.

MPO PRO-CONNECT FIBER CASSETTE

DESCRIPTION

Comply with TIA - 568C. 3-2008 and YD/ T1272.5-2009 (optical fiber connector part v: MPO). Widely used in IDC and building's pre-terminated fiber system. Meet 10G Ethernet transmissions and also ready for 40G/100G updating in future, and fully comply with modern high speed network system. Linkbasic MPO cassette is mainly used to transfer trunk cable to LC or SC connector in Data Center. Can be installed in 19" 1U, 2U or 3U fiber optical shelf. The front panel load LC or SC adapter to connect to terminal equipment, and the rear panel load MPO adapter to connect to MPO trunk cable. Plug-in modular design is suitable for fast installation of fiber optic infrastructure in Data Center, and improves the ability of troubleshooting and reconfiguring during moving. 100% factory-terminated and strict connection testing, which ensure minimum insertion loss.

PRODUCT FEATURES

- High strength aluminum alloy design protects internal fiber optical components.
- The front panel load LC duplex adapter, the rear panel load MPO connector.
- Each front panel load 12 LC duplex adapters, each rear panel load 2 MPO connectors.
- Customized quantity is available, flexible configuration, and easy to install, move and update.
- According to internal fibers, it have several types, such as OM3, OM4, OS1 and OS2, etc.



FPM65-24-M2

ORDER INFORMATION

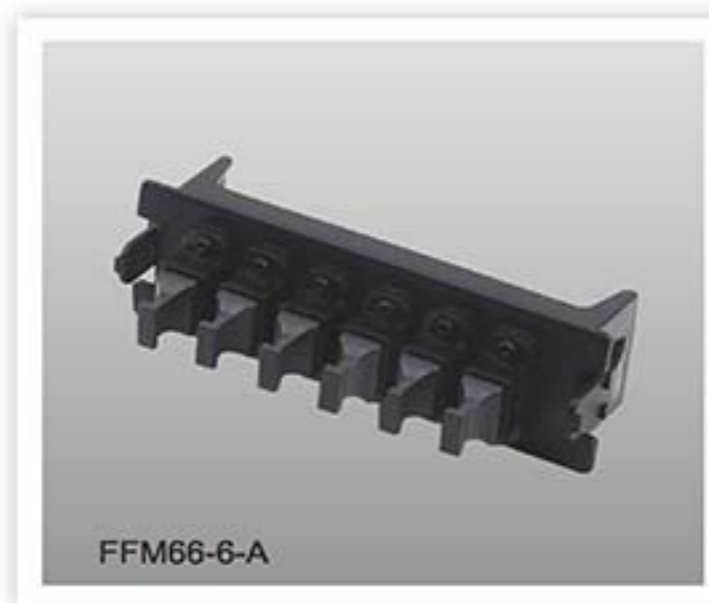
Part number	Description	Inner package
FPM65-12-OM3	Multi mode 12 core MPO-LC fiber Cassette	1pcs
FPM65-12-OM4	Multi mode 12 core MPO-LC fiber Cassette	1pcs
FPM65-12-OS1	Single mode 12 core MPO-LC fiber Cassette	1pcs
FPM65-12-OS2	Single mode 12 core MPO-LC fiber Cassette	1pcs
FPM65-24-OM3	Multi mode 24 core MPO-LC fiber Cassette	1pcs
FPM65-24-OM4	Multi mode 24 core MPO-LC fiber Cassette	1pcs
FPM65-24-OS1	Single mode 24 core MPO-LC fiber Cassette	1pcs
FPM65-24-OS2	Single mode 24 core MPO-LC fiber Cassette	1pcs

DESCRIPTION

Comply with TIA - 568C. 3-2008 and YD/T1272.5-2009 (optical fiber connector part v: MPO). Produced by high quality cold-rolled steel.

PRODUCT CHARACTERISTICS

- Produced by cold-rolled steel.
- Surface finish: degreasing, pickling, phosphoric, water cleaning, electrostatic powder coating (thickness 80µm-100µm), comply with ROHS.
- Each MPO adapter plate loads 6 MPO adapters, which organizes max 72 cores.
- Easy to install.



ORDER INFORMATION

Part number	Product name	Description	Standard color	Inner box	Carton
FFM66-6-A	6 port MPO adapter panel	Each plate load 6 MOP adapters	black	1pcs	/
FFM66-0-A	Blank panel	/	black	1pcs	/

MPO ADAPTER

DESCRIPTION

Comply with industry standard TIA - 568C.3-2008 and YD/T1272.5-2009 (fiber optical connector part v: MPO style). Produced by high quality PVC, which is flame-retardant and eco-friendly.

PRODUCT CHARACTERISTICS

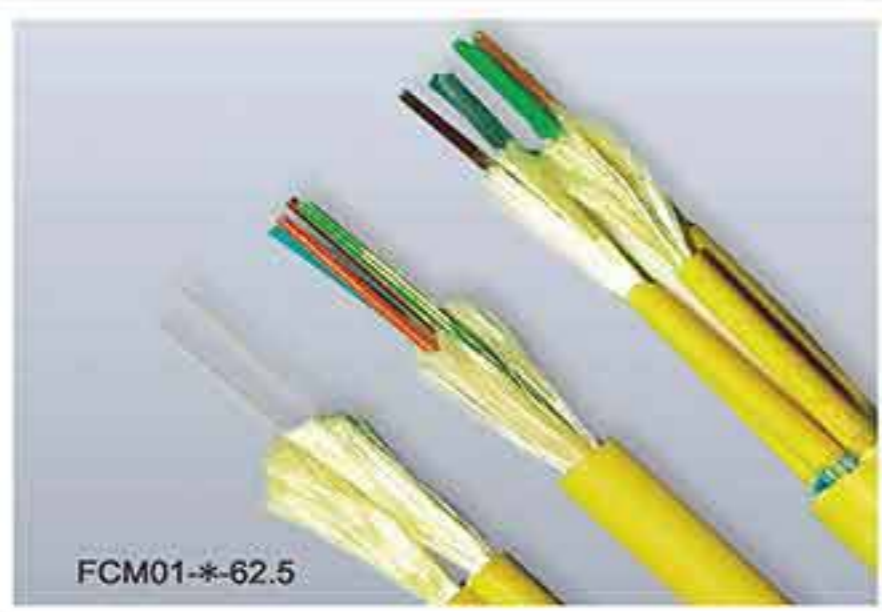
- Produced by high quality PVC, which is flame-retardant and eco-friendly.
- MPO is a small fiber optical connector, which realize high density interconnection.
- Meet JIS C5982&IEC 1754-7 and ROHS standard.
- Feature: small volume, high precision.
- High density: supporting the connection of 12-72 cores or even 96 cores fiber optical cable.



ORDER INFORMATION

Part number	Product name	Description	Standard color	Inner box	Carton
FFC66-1	MPO adapter	/	Black	1pcs	25pcs

INDOOR FIBER OPTICAL CABLE



FCM01-*62.5

Indoor fiber optical cable

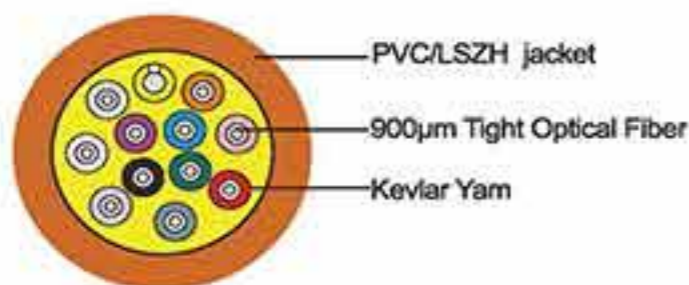
DESCRIPTION

Indoor fiber optical cable is made by evenly applying strands of kevlar yarns as the strength member over tight buffer fibers and then is completed with a flame-retardant sheath. High quality fibers, special equipment, precision mold and rationally designed number of strands and tension, which ensure performance is superior to international standard.

PRODUCT FEATURES

- Using screw with good linearity and a small amount of glue, and adjusting degree of vacuum of plastic extruding machine, which ensure the outer diameter of tight optical fiber to be uniform, and easy to strip. LSZH outer jacket for indoor usage (optional).
- Special processing equipment, high quality material and optimizing process ensure low additional temperature attenuation.
- Tight optical fiber core is selected strictly, which ensure the size and transmission performance meet the requirement of users.
- Laying method: along wall, roof, mezzanine and conduit.
- Occasion with no strict requirement of water-proof.

PRODUCT FIGURE



PVC/LSZH jacket

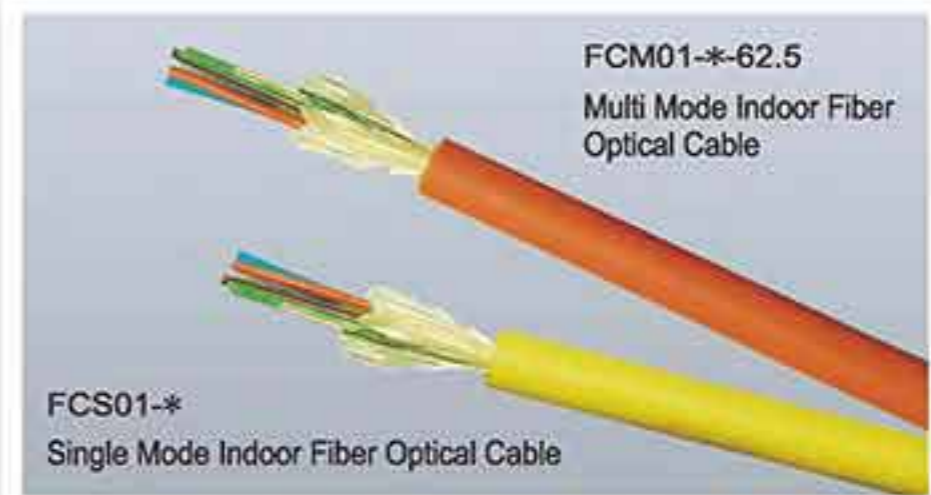
900µm Tight Optical Fiber

Kevlar Yarn

ORDER INFORMATION

Part number	Description	Standard color
FCM01-*62.5	Multi Mode Indoor Fiber Optical Cable	Orange
FCM01-*OM2	Multi Mode Indoor Fiber Optical Cable(OM2)	Orange
FCM01-*OM3	Multi Mode Indoor Fiber Optical Cable(OM3)	Orange
FCS01-*	Single Mode Indoor Fiber Optical Cable	Yellow

Fiber type	2 cores	4 cores	6 cores	8 cores	10 cores	12 cores
Fiber diameter(mm±0.2)	3.8	4.5	4.8	5.2	5.6	6.2
Fiber weight(kg/km)	11	18.4	22	24	27	31
Optical feature						
Attenuation(+20°C)	50µm	≤ 3.5dB/km @850nm		≤ 1.5dB/km @1300nm		
	62.5µm	≤ 3.5dB/km @850nm		≤ 1.5dB/km @1300nm		
	G.652	≤ 0.45dB/km @1310nm		≤ 0.40dB/km @1550nm		
	G.655	≤ 0.50dB/km @1310nm		≤ 0.50dB/km @1550nm		
Bandwidth	50µm	≥ 200MHz · km@850nm		≥ 400MHz · km@1300nm		
	62.5µm	≥ 160MHz · km@850nm		≥ 200MHz · km@1300nm		
Numerical Aperture (NA)	50µm	0.20±0.015				
	62.5µm	0.275±0.015				
End wave length λ CC	G.652	≤ 1260nm				
	G.655	≤ 1480nm				
Geometric feature						
Diameter of tight optical fiber	900±50µm					
Diameter of fiber cladding	125±1.0µm					
Delivery length (customizable)	≤ 2200					
Environmental feature						
Transport temperature	-20°C → +70°C					
Storage temperature	-40°C → +70°C					
Installation temperature	-5°C → +50°C					
Operation temperature	-20°C → +70°C					
Additional temperature attenuation*α (-20°C → +70°C)	50µm	≤ 0.50dB/km @1300nm				
	62.5µm	≤ 0.50dB/km @1300nm				
	G.652	≤ 0.20dB/km @1550nm				
	G.655	≤ 0.20dB/km @1550nm				
Tensile strength	Long time	200N				
	Short time	660N				
Crush resistance	Long time	300N/100mm				
	Short time	1000N/100mm				
Dynamic bend radius	20xD (fiber optical short axis)					
Static bend radius	10xD (fiber optical short axis)					



FCM01-*62.5

Multi Mode Indoor Fiber Optical Cable

FCS01-*

Single Mode Indoor Fiber Optical Cable



FCM01-*OM3

Multi Mode Indoor Fiber Optical Cable

OUTDOOR FIBER OPTICAL CABLE (GYXS)

DESCRIPTION

In the structure of GYXS fiber optical cable, the outer jacket of single mode or multi mode fibers is a loose tube, which is produced by high modulus plastic, and is filled up with waterproofing compound. A steel strip with plastic coating on both sides is applied around the loose tube. Waterproofing material between loose tube and steel tape ensure compact structure and longitudinally water-proof. The cable is completed with two parallel steel wires on the two sides.

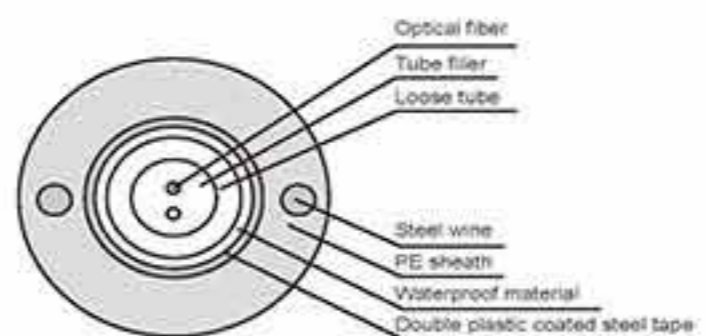


No. of fiber cable core	Diameter of steel core(mm)	Diameter of the loose tube (mm)	The standard thickness of the sheath(mm)	Diameter of fiber cable(mm)	The weight of fiber (Kg/Km)	(Short term long term)allowable tension(n)	allowable press force (N/100mm)
2-12	1.6	2.0/3.0	3.0	10.6	148	1500/3000	3000
14-24	1.6	2.8/4.0	3.0	12.5	170	1500/3000	3000
26-36	1.6	3.8/5.0	3.0	14.0	185	1500/3000	3000
38-48	1.6	4.5/6.0	3.0	15.0	200	1500/3000	3000

PRODUCT FEATURES

- Precisely control of fiber excess length ensures good mechanical properties and temperature characteristics. Loose tube is produced by high-strength material with good hydrolysis resistance performance.
- Good compression resistance and softness, and the PSP improves moisture resistance of fiber optical cable.
- Small diameter and light weight make it easy to lay.
- Apply to outdoor buried, conduit and aerial.

PRODUCT FIGURE



OUTDOOR FIBER OPTICAL CABLE (GYTA)

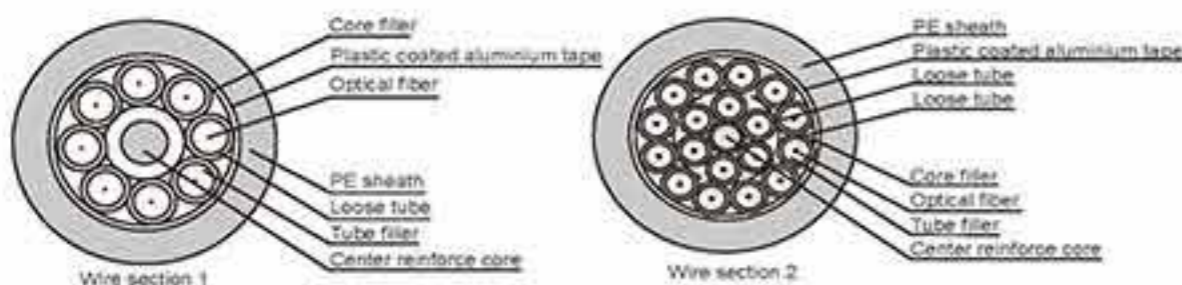
No. of fiber cable core	Diameter of steel core(mm)	Plastic coated steel tape(mm)	Diameter of the loose tube (mm)	Core of the loose tube	Filler core number	Diameter of fiber cable (mm)	The weight of fiber (Kg/Km)	(Short term long term)allowable tension(n)	allowable press force (N/100mm)
4-6	1.6	/	1.5/2.1	1	4	10.2	95	600/1500	1000
8-12	1.6	/	1.5/2.1	2	3	10.2	95	600/1500	1000
14-18	1.6	/	1.5/2.1	3	2	10.2	95	600/1500	1000
20-24	1.6	/	1.5/2.1	4	1	10.2	95	600/1500	1000
26-30	1.6	/	1.5/2.1	5	0	10.2	95	600/1500	1000
32-36	2.25	/	1.5/2.1	6	0	11.8	139	1000/3000	1000
38-42	2.25	3.7	1.5/2.1	7	1	12.8	164	1000/3000	1000
44-48	2.25	3.7	1.5/2.1	8	0	12.8	164	1000/3000	1000
50-60	2.25	2.8	2.0/2.6	5	1	12.8	164	1000/3000	1000
62-72	2.25	2.8	2.0/2.6	6	0	12.8	164	1000/3000	1000
74-84	2.25	4.5	2.0/2.6	7	1	14.6	214	1000/3000	1000
86-96	2.25	4.5	2.0/2.6	8	0	14.6	214	1000/3000	1000
98-108	2.25	6.1	2.0/2.6	9	1	17	262	1000/3000	1000
110-120	2.25	6.1	2.0/2.6	10	0	17	262	1000/3000	1000
122-132	2.25	8.1	2.0/2.6	11	1	19.5	325	1000/3000	1000
134-144	2.25	8.1	2.0/2.6	12	0	19.5	325	1000/3000	1000
146-216						19.5	330	1000/3000	1000

DESCRIPTION

- In the structure of GYTA fiber optical cable, the outer jacket of single mode or multi mode fibers is a loose tube, which is produced by high modulus plastic, and is filled up with waterproofing compound.
- A steel wire, sometimes sheathed with polyethylene (PE) for cable with high fiber count, locates in the center of core as a metallic strength member.
- Loose tubes (and fillers) are stranded around the strength member into a compact and circular cable core which is filled with the filling compound to protect it from water ingress.
- An Aluminum Polyethylene Laminate (APL) is applied around the cable core. Then, the cable is completed with a PE sheath.



ORDER INFORMATION



PRODUCT CHARACTERISTICS

- Precise control of fiber excess length ensure good mechanical properties and temperature characteristics. Loose tube is produced by high-strength material with good hydrolysis resistance performance.
- Tube filled with special cream, optical fiber were key protection. PE outer jacket has good UV resistance performance. To protect waterproof performance with following measures.
- Loose tube of metallic strength member is filled with the filling compound, and an Aluminum Polyethylene Laminate (APL) is applied around the cable core.
- Apply to conduit and aerial.

ORDER INFORMATION

Part number	Description	Standard color
FCM02-*62.5	Multi Mode outdoor center tube Optical Cable	Black
FCM02-*OM2	Multi Mode Outdoor center tube Optical Cable(OM2)	Black
FCM02-*OM3	Multi Mode outdoor center tube Optical Cable(OM3)	Black
FCS02-*	Single Mode outdoor Optical Cable	Black
FCM03-*62.5	Multi Mode outdoor Stranded loose tube Optical Cable	Black
FCM03-*OM2	Multi Mode Outdoor Stranded loose tube Optical Cable(OM2)	Black
FCM03-*OM3	Multi Mode Outdoor Stranded loose tube Optical Cable(OM3)	Black
FCS03-*	Single Mode outdoor Stranded loose tube Optical Cable	Black

OUTDOOR FIBER OPTICAL CABLE (GYTS)



DESCRIPTION

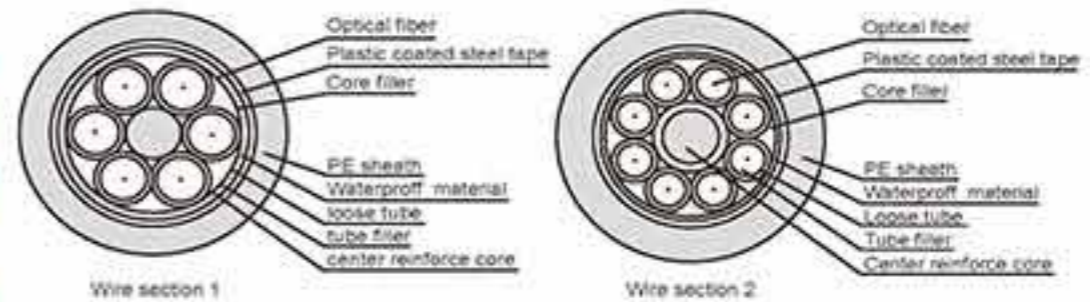
In the structure of GYXS fiber optical cable, the outer jacket of single mode or multi mode fibers is a loose tube, which is produced by high modulus plastic, and is filled up with waterproofing compound. A steel strip with plastic coating on both sides is applied around the loose tube. Waterproofing material between loose tube and steel tape ensure compact structure and longitudinally water-proof. The cable is completed with two parallel steel wires on the two sides.

No. of fiber cable core	Diameter of steel core (mm)	Plastic coated steel tape (mm)	Diameter of the loose tube (mm)	Core of the loose tube	Fiber core number	Diameter of fiber cable (mm)	The weight of fiber (Kg/Km)	(Short term/long term) allowable tension (n)	allowable press force (N/100mm)
4-6	1.5	/	1.5/2.1	1	4	11.8	138	600/1500	1000
8-12	1.5	/	1.5/2.1	2	3	11.8	138	600/1500	1000
14-18	1.5	/	1.5/2.1	3	2	11.8	138	600/1500	1000
20-24	1.5	/	1.5/2.1	4	1	11.8	138	600/1500	1000
26-30	1.5	/	1.5/2.1	5	0	11.8	138	600/1500	1000
32-36	2.25	/	1.5/2.1	6	0	13.0	170	1000/3000	1000
38-42	2.25	3.7	1.5/2.1	7	1	14.0	200	1000/3000	1000
44-48	2.25	3.7	1.5/2.1	8	0	14.0	200	1000/3000	1000
50-60	2.25	2.8	2.0/2.6	5	1	14.0	200	1000/3000	1000
62-72	2.25	2.8	2.0/2.6	6	0	14.0	200	1000/3000	1000
74-84	2.25	4.5	2.0/2.6	7	1	15.6	245	1000/3000	1000
86-96	2.25	4.5	2.0/2.6	8	0	15.6	245	1000/3000	1000

PRODUCT CHARACTERISTICS

- Precise control of fiber excess length ensure good mechanical properties and temperature characteristics. Loose tube is produced by high-strength material with good hydrolysis resistance performance. Tube filled with special cream, optical fiber were key protection. Good compression resistance and softness.
- To protect waterproof performance with following measures: Loose tube of metallic strength member is filled with the filling compound, an Aluminum Polyethylene Laminate (APL) is applied around the cable core, the PSP improve moisture resistance of fiber optical cable, and good waterproof material ensure longitudinally water-proof.
- Apply to outdoor buried, conduit and aerial.

PRODUCT FIGURE



OUTDOOR FIBER OPTICAL CABLES (GYTA53)



DESCRIPTION

- In the structure of GYTA53 fiber optical cable, the outer jacket of single mode or multi mode fibers is a loose tube, which is produced by high modulus plastic, and is filled up with waterproofing compound. A steel wire, sometimes sheathed with polyethylene (PE) for cable with high fiber count, locates in the center of core as a metallic strength member.
- Loose tubes (and fillers) are stranded around the strength member into a compact and circular cable core which is filled with the filling compound to protect it from water ingress. An Aluminum Polyethylene Laminate (APL) which has a PE sheath is applied around the cable core. Then, the cable is completed with a PE sheath out of PSP.

No. of fiber cable core	Diameter of steel core (mm)	Plastic coated steel tape (mm)	Diameter of the loose tube (mm)	Core of the loose tube	Fiber core number	Diameter of fiber cable (mm)	The weight of fiber (Kg/Km)	(Short term/long term) allowable tension (n)	allowable press force (N/100mm)
4-6	1.6	/	1.5/2.1	1	4	14.8	256	600/1500	3000
8-12	1.6	/	1.5/2.1	2	3	14.8	256	600/1500	3000
14-18	1.6	/	1.5/2.1	3	2	14.8	256	600/1500	3000
20-24	1.6	/	1.5/2.1	4	1	14.8	256	600/1500	3000
26-30	1.6	/	1.5/2.1	5	0	14.8	256	600/1500	3000
32-36	2.25	/	1.5/2.1	6	0	14.8	256	1000/3000	3000
38-42	2.25	3.7	1.5/2.1	7	1	16.8	304	1000/3000	3000
44-48	2.25	3.7	1.5/2.1	8	0	16.8	304	1000/3000	3000
50-60	2.25	2.8	2.0/2.6	5	1	16.8	306	1000/3000	3000
62-72	2.25	2.8	2.0/2.6	6	0	16.8	306	1000/3000	3000
74-84	2.25	4.5	2.0/2.6	7	1	18.9	366	1000/3000	3000
86-96	2.25	4.5	2.0/2.6	8	0	18.9	366	1000/3000	3000
98-108	2.25	6.1	2.0/2.6	9	1	21.5	429	1000/3000	3000
110-120	2.25	6.1	2.0/2.6	10	0	21.5	429	1000/3000	3000
122-132	2.25	8.1	2.0/2.6	11	1	22.3	488	1000/3000	3000
134-144	2.25	8.1	2.0/2.6	12	0	22.3	488	1000/3000	3000
146-216						22.3	500	1000/3000	3000

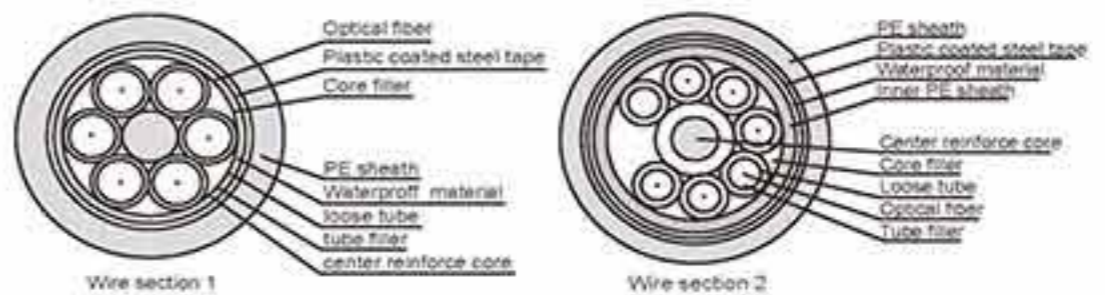
PRODUCT FEATURES

- Precise control of fiber excess length ensure good mechanical properties and temperature characteristics. Loose tube is produced by high-strength material with good hydrolysis resistance performance. Tube filled with special cream, optical fiber were key protection. Good compression resistance and softness.
- To protect waterproof performance with following measures: Loose tube of metallic strength member is filled with the filling compound, an Aluminum Polyethylene Laminate (APL) is applied around the cable core, the PSP improve moisture resistance of fiber optical cable, and good waterproof material ensure longitudinally water-proof.
- Apply to outdoor buried, conduit and aerial.

ORDER INFORMATION

Part number	Description	Standard color
FCM04*-62.5	Multi Mode outdoor Stranded loose tube Optical Cable	Black
FCM04*-OM2	Multi Mode Outdoor Stranded loose tube Optical Cable(OM2)	Black
FCM04*-OM3	Multi Mode outdoor Stranded loose tube Optical Cable(OM3)	Black
FCS04*	Single Mode outdoor Stranded loose tube Optical Cable	Black
FCM05*-62.5	Multi Mode outdoor Stranded loose tube Optical Cable	Black
FCM05*-OM2	Multi Mode Outdoor Stranded loose tube Optical Cable(OM2)	Black
FCM05*-OM3	Multi Mode Outdoor Stranded loose tube Optical Cable(OM3)	Black
FCS05*	Single Mode outdoor Stranded loose tube Optical Cable	Black

PRODUCT FIGURE



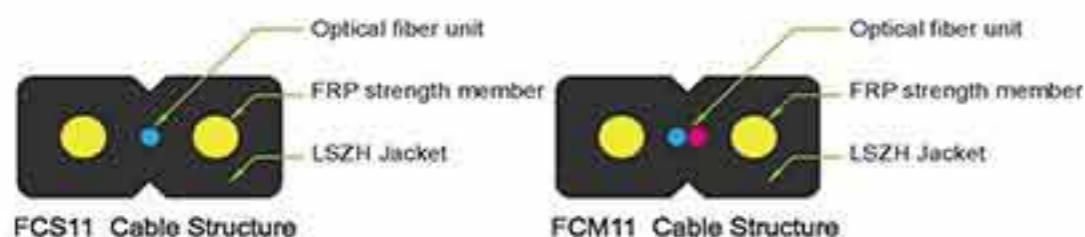
BOW-TYPE DROP CABLE (GJXFH)



FCS11-1-F-LSZH

Bow-type drop cable, single mode, simplex

PRODUCT FIGURE



FCS11 Cable Structure

FCM11 Cable Structure

PRODUCT CHARACTERISTICS

Fiber Count	Cable Size (mm)	Cable Weight (kg/km)	Tensile Strength Long/Short Term (N)	Crush Resistance Long/Short Term (N/100mm)	Bending Radius Static/Dynamic (mm)
1	(2.0±0.1)×(3.0±0.1)	8	40/80	500/1000	15/30
2	(2.0±0.1)×(3.0±0.1)	8.5	40/80	500/1000	15/30

DESCRIPTION

The optical fiber unit is positioned in the centre. Two parallel Fiber Reinforced Plastics (FRP) are placed at the two sides. Then the cable is completed with a black or colorful LSZH sheath.

PRODUCT CHARACTERISTICS

- Special low-bend-sensitivity fiber provide high bandwidth and communication transmission property.
- Two parallel FRP make optical cable has good resistance to protect fiber.
- Simple structure, light weight and high practicability.
- Novel flute design, easily strip and splice, simplify the installation and maintenance.
- LSZH outer jacket, which is eco-friendly.

ORDER INFORMATION

Part number	Description	Standard color
FCS11-1-F-LSZH	Single mode Bow-type drop Cable (LSZH), simplex, FRP	Black
FCS11-2-F-LSZH	Single mode Bow-type drop Cable(LSZH), , duplex, FRP	Black
FCS11-1-S-LSZH	Single mode Bow-type drop Cable(LSZH), , simplex, steel	Black
FCS11-2-S-LSZH	Single mode Bow-type drop Cable(LSZH), , duplex, steel	Black
FCM11-1-F-LSZH	Multi mode Bow-type drop Cable(LSZH), , simplex, FRP	Black
FCM11-2-F-LSZH	Multi mode Bow-type drop Cable(LSZH), duplex, FRP	Black
FCM11-1-S-LSZH	Multi mode Bow-type drop Cable(LSZH), simplex, steel	Black
FCM11-2-S-LSZH	Multi mode Bow-type drop Cable(LSZH), duplex, steel	Black

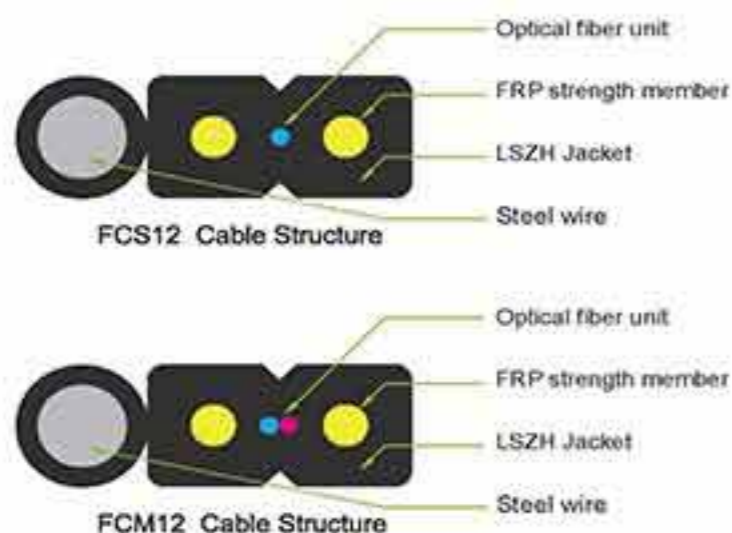
SELF-SUPPORTING BOW-TYPE DROP CABLE (GJYXFCH)



FCS12-2-F-LSZH

Self-supporting bow-type drop cable, single mode, duplex

PRODUCT FIGURE



FCS12 Cable Structure

FCM12 Cable Structure

PRODUCT CHARACTERISTICS

Fiber Count	Cable Size (mm)	Cable Weight (kg/km)	Tensile Strength Long/Short Term (N)	Crush Resistance Long/Short Term (N/100mm)	Bending Radius Static/Dynamic (mm)
1	(2.0±0.1)×(5.2±0.1)	20	300/600	2200	15/30
2	(2.0±0.1)×(5.2±0.1)	20	300/600	2200	15/30

DESCRIPTION

The optical fiber unit is positioned in the center. Two parallel Fiber Reinforced Plastics (FRP) are placed at two sides. And a steel wire as an additional strength member is on the outside. Then the cable is completed with a black or colorful LSZH sheath.

PRODUCT CHARACTERISTICS

- Special low-bend-sensitivity fiber provide high bandwidth and communication transmission property.
- Two parallel FRP make optical cable has good resistance to protect fiber.
- Single steel wire as an additional strength member ensure good tensile performance.
- Simple structure, light weight and high practicability.
- Novel flute design, easily strip and splice, simplify the installation and maintenance.
- LSZH outer jacket, which is eco-friendly.

ORDER INFORMATION

Part number	Description	Standard color
FCS12-1-F-LSZH	Single mode Self-supporting Bow-type drop Cable(LSZH), simplex, FRP	Black
FCS12-2-F-LSZH	Single mode Self-supporting Bow-type drop Cable(LSZH),duplex, FRP	Black
FCS12-1-S-LSZH	Single mode Self-supporting Bow-type drop Cable(LSZH), simplex, steel	Black
FCS12-2-S-LSZH	Single mode Self-supporting Bow-type drop Cable(LSZH), duplex, steel	Black
FCM12-1-F-LSZH	Multi mode Self-supporting Bow-type drop Cable(LSZH), simplex, FRP	Black
FCM12-2-F-LSZH	Multi mode Self-supporting Bow-type drop Cable(LSZH), duplex, FRP	Black
FCM12-1-S-LSZH	Multi mode Self-supporting Bow-type drop Cable(LSZH),simplex, steel	Black
FCM12-2-S-LSZH	Multi mode Self-supporting Bow-type drop Cable(LSZH), duplex, steel	Black

FIBER FACEPLATE ST, SC, FC, LC



OUF55-2

2-Port LC Fiber Face plate



OUF11-2

2-Port ST Fiber Face plate



OUF22-2

2-Port SC Fiber Face plate



OUF22-12

2-Port SC Fiber Face plate

DESCRIPTION

Fiber face plate is produced by high quality PC and ABS engineering plastic. Suitable for installation of multi-type fiber optical adapters. Use in working area.

PRODUCT CHARACTERISTICS

- China standard 86x86 mm style.
- Embedded frame, easy to install.
- Apply to different types of fiber optical adapters, such as ST, SC FC, LC, etc.
- Produced by ABS engineering plastic.

ORDER INFORMATION

Part number	Description	Standard color	Inner box	Carton	Carton size(L x W x H)	Weight
OUF11-2	2-Port ST Fiber Face plate	White	15pcs	150pcs	53cm*31cm*23cm	6.50kg
OUF22-2	2-Port SC Fiber Face plate	White	15pcs	150pcs	53cm*31cm*23cm	6.50kg
OUF22-12	2-Port SC Fiber Face plate	White	15pcs	150pcs	53cm*31cm*23cm	6.50kg
OUF55-2	2-Port LC Fiber Face plate	White	15pcs	150pcs	53cm*31cm*23cm	6.50kg

ADAPTER (CERAMIC SLEEVE)

DESCRIPTION

- Apply to use between test equipment, LAN, fiber CATV and different media connection. Comply with IEC and BELL CORE.
- 100% pass optical performance testing, and ceramic sleeve is available.
- Imported high-precision machine, good surface finish and accurate axis positioning ensure accurate coaxiality.

PRODUCT CHARACTERISTICS

- Integrated internal structure makes it easy to use and install, and improves efficiency.
- Good stability performance, and low insertion loss.
- Insertion loss < 0.2dB.
- Reflection loss > 55dB.
- Temperature range: -40°C ~ +85°C
- Durability: 500 cycles. Variability less than 0.2dB.



FFC11-1

ST-ST adapter, simplex;



FFC33-1

FC-FC adapter, simplex (small round type);



FFC55-1

LC-LC adapter, simplex;



FFC22-1-S

single mode SC-SC adapter, simplex;



FFC22-2-M

multi mode SC-SC adapter, duplex;



FFC55-4

LC-LC adapter, quadruplex;



FFC55-2-S

single mode LC-LC adapter, duplex;



FFC55-2-SC-M

multi mode LC-LC adapter, duplex (SC type);



FFC55-2-SC-OM3

multi mode LC-LC adapter, OM3, duplex (SC type);



FFC55-2-SC-OM4

multi mode LC-LC adapter, OM4, duplex (SC type);

ORDER INFORMATION

Part number	Description	Standard color	Inner box	Carton	Carton size(L x W x H)
FFC11-1	ST-ST Adapter, Simplex	Silver	50pcs	500pcs	53cm*31cm*23cm
FFC33-1	FC-FC Adapter, Simplex(small round type)	Red	50pcs	150pcs	53cm*31cm*23cm
FFC22-1-S	Single mode SC-SC Adapter, Simplex	Blue	50pcs	150pcs	53cm*31cm*23cm
FFC22-2-S	Single mode SC-SC Adapter, Duplex	Blue	50pcs	150pcs	53cm*31cm*23cm
FFC22-1-M	Multi mode SC-SC Adapter, Simplex	Grey	50pcs	150pcs	53cm*31cm*23cm
FFC22-2-M	Multi mode SC-SC Adapter, Duplex	Grey	50pcs	150pcs	53cm*31cm*23cm
FFC55-1	LC-LC Adapter, Simplex	Grey	50pcs	150pcs	53cm*31cm*23cm
FFC55-2-S	Single mode LC-LC Adapter, Duplex	Blue	50pcs	150pcs	53cm*31cm*23cm
FFC55-2-SC-S	Single mode LC-LC Adapter, Duplex(SC type)	Blue	50pcs	150pcs	53cm*31cm*23cm
FFC55-2-M	Multi mode LC-LC Adapter, Duplex	Grey	50pcs	150pcs	53cm*31cm*23cm
FFC55-2-SC-M	Multi mode LC-LC Adapter, Duplex (SC type)	Grey	50pcs	150pcs	53cm*31cm*23cm
FFC55-4	LC-LC Adapter, Quadruplex	Grey	50pcs	150pcs	53cm*31cm*23cm
FFC55-2-SC-OM3	LC-LC Adapter, Duplex, OM3 (SC type)	Aqua	50pcs	150pcs	53cm*31cm*23cm
FFC55-2-SC-OM4	LC-LC Adapter, Duplex, OM4 (SC type)	Pink	50pcs	150pcs	53cm*31cm*23cm

FIBER OPTICAL SHELF

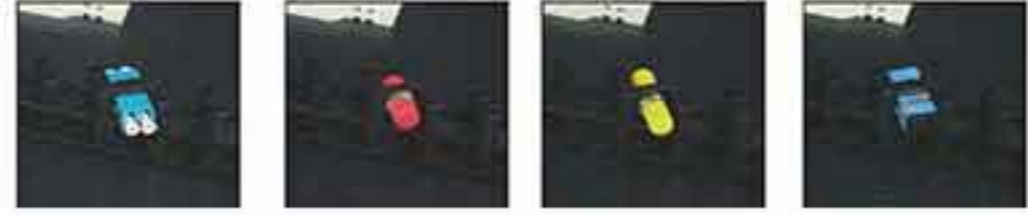


FPE01-A

24 port fiber optic shelf, rack mount



open without top cover



Comply with LC, FC, ST and SC adapter port

DESCRIPTION

- Apply to termination point of optical fiber access network, and comply with LC, FC, ST or SC adapter. The function of wiring and splicing realize flexible wiring and storage of fiber cable core.
- Specially designed for fiber wiring equipment. It consists of ODF-24 units and cabinet or rack. Every unit is a 19" case (height: 1U, about 4.45cm), which loads max 24 cores, and apply to standard cabinet or rack. The quantity and specification of every unit could be customized. It plays the role of fiber distributor and termination cassette. It can assemble into a fiber optical shelf, or assemble with other digital distribution unit or multimedia distribution unit in the same cabinet or rack to create a integrated patch panel. Flexible configuration, simple installation, easy maintenance and convenient management make it become an essential equipment in small and medium optical fiber communication room in order to distribute, splice and connect fibers.

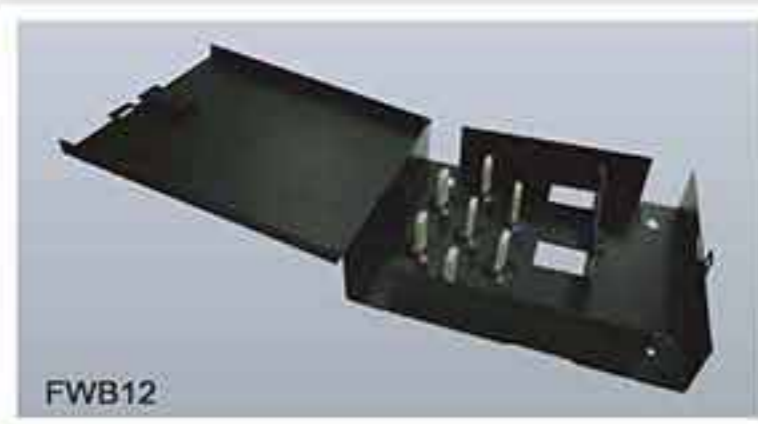
FUNCTIONAL FEATURES

- Produce by cold-rolled steel, and surface electrostatic spray make it beautiful and easy to use.
- Standard width of 19" instruction case, and should be installed in racks, in order to splice and grind.
- With storage and arrange space, it is easy to wiring and management. Splicing capacity; 24 cores or 48 cores.

ORDER INFORMATION

Part number	Description	Standard color	Inner box	Carton
FPE01-A	24 port fiber shelf, rack mount	Black	1pcs	5pcs

12 PORT WALL MOUNT FIBER PATCH PANEL



FWB12

12 port fiber frame, wall mount



FFB11-6

Six port ST adapter plate;



FFB22-6

Six port ST adapter plate;



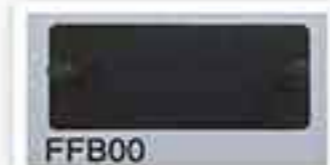
FFB33-6

Six port SC adapter plate;



FFB55-6

six port LC adapter plate;



FFB00

blank adapter plate;

PRODUCT INTRODUCTION

Apply to termination point of optical fiber access network. The function of wiring and splicing realize flexible wiring and storage of fiber cable core.

ORDER INFORMATION

Part number	Description	Standard color	Inner box	Carton
FWB12	12 port fiber frame, wall mount	Black	1pcs	5pcs
FFB11-6	6 port ST adapter blank plate	Black	20pcs	200pcs
FFB22-6	6 port SC adapter blank plate	Black	20pcs	200pcs
FFB33-6	6 port FC adapter blank plate	Black	20pcs	200pcs
FFB55-6	6 port LC adapter blank plate	Black	20pcs	200pcs
FFB00	Blank adapter empty plate	Black	20pcs	200pcs

PRODUCT CHARACTERISTICS

- Produce by cold-rolled steel, and surface electrostatic spray make it beautiful and easy to use.
- Comply with LC, FC, ST or SC adapter, easy to install. Splicing capacity: 12 cores.

FIBER PATCH CORDS

DESCRIPTION

Comply with TIA/EIA-568-B-3(CSA T529-95) and IEC874-1, and apply to connect between fiber optical shelf and network equipment.



FAM11-2-62.5-*

Multi mode ST-ST patch cord(duplex);



FAM22-2-62.5-*

Multi mode SC-SC patch cord(duplex);



FAM33-2-62.5-*

Multi mode FC-FC patch cord(duplex);



FAM55-2-62.5-*

Multi mode LC-LC patch cord(duplex);



FAM55-2-OM3-*

Multi mode LC-LC patch cord,OM3(duplex)



FAS11-2-*

Single mode ST-ST patch cord (duplex);



FAS22-2-*

Single mode SC-SC patch cord (duplex);



FAS33-2-*

Single mode FC-FC patch cord (duplex);



FAS55-2-*

Single mode LC-LC patch cord (duplex);

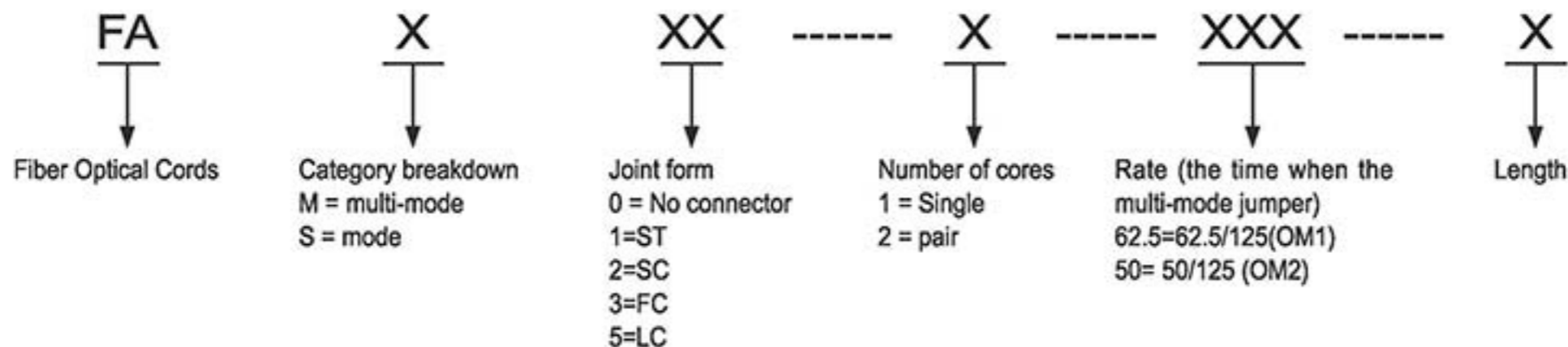
PRODUCT FEATURES

- Produced by high quality material with low insertion loss, reflection loss and good optical performance. Can connect with fiber adapter easily. Enhancement and tension-resistant design provide high mechanical performance.

TYPE	ST		SC		FC	
	MULTI MODE	SINGLE MODE	MULTI MODE	SINGLE MODE	MULTI MODE	SINGLE MODE
INSERTION LOSS/INSERTION	≤0.3dB	≤0.3dB	≤0.3dB	≤0.3dB	≤0.3dB	≤0.3dB
REFLECTION ATTENUATION	-40°C ~ +80°C	-40°C ~ +80°C	-40°C ~ +80°C	-40°C ~ +80°C	-40°C ~ +80°C	-40°C ~ +80°C
INSERT AND PULL TEST	≤0.1dB	≤0.1dB	≤0.1dB	≤0.1dB	≤0.1dB	≤0.1dB
INTERCHANGING CAPABILITY	≤0.2dB	≤0.2dB	≤0.2dB	≤0.2dB	≤0.2dB	≤0.2dB
OPERATING TEMPERATURE	≥35dB	≥45dB	≥35dB	≥45dB	≥35dB	≥45dB

TYPE	MT-RJ		LC	
	MULTI MODE	SINGLE MODE	MULTI MODE	SINGLE MODE
INSERTION LOSS	≤0.5dB	≤0.5dB	≤0.3dB	≤0.4dB
REFLECTION ATTENUATION	-40°C ~ +80°C	-40°C ~ +80°C	-40°C ~ +80°C	-40°C ~ +80°C
INSERT AND PULL TEST	<0.2dB	<0.2dB	<0.2dB	<0.2dB
INTERCHANGING CAPABILITY	<0.2dB	<0.2dB	<0.2dB	<0.2dB
OPERATING TEMPERATURE	>35dB	PC > 40dB UPC > 45dB APC > 55dB	>35dB	PC > 45dB UPC > 50dB APC > 60dB

FIBER PATCH CORD & PIGTAIL CODE



FIBER PATCH CORDS

ORDER INFORMATION

Part number	Description	Inner box
FAS11-2-*	Single mode ST-ST patch cord(duplex)	1pcs
FAS12-2-*	Single mode ST-SC patch cord(duplex)	1pcs
FAS15-2-*	Single mode ST-LC patch cord(duplex)	1pcs
FAS22-2-*	Single mode SC-SC patch cord(duplex)	1pcs
FAS25-2-*	Single mode SC-LC patch cord(duplex)	1pcs
FAS33-2-*	Single mode FC-FC patch cord(duplex)	1pcs
FAS55-2-*	Single mode LC-LC patch cord(duplex)	1pcs
FAM11-2-62.5-*	Multi mode ST-ST patch cord (duplex)	1pcs
FAM15-2-62.5-*	Multi mode ST-LC patch cord (duplex)	1pcs
FAM22-2-62.5-*	Multi mode SC-SC patch cord (duplex)	1pcs
FAM12-2-62.5-*	Multi mode ST-SC patch cord (duplex)	1pcs
FAM25-2-62.5-*	Multi mode SC-LC patch cord (duplex)	1pcs
FAM33-2-62.5-*	Multi mode FC-FC patch cord (duplex)	1pcs
FAM55-2-62.5-*	Multi mode LC-LC patch cord (duplex)	1pcs

Part number	Description	Inner box
FAS10-1-*	Single mode ST pigtail	1pcs
FAS20-1-*	Single mode SC pigtail	1pcs
FAS30-1-*	Single mode FC pigtail	1pcs
FAS50-1-*	Single mode LC pigtail	1pcs
FAM10-1-62.5-*	Multi mode ST pigtail	1pcs
FAM20-1-62.5-*	Multi mode SC pigtail	1pcs
FAM30-1-62.5-*	Multi mode FC pigtail	1pcs
FAM50-1-62.5-*	Multi mode LC pigtail	1pcs

* * "=length

SC FAST OPTICAL CONNECTOR

DESCRIPTION

SC quick optical connector apply to 0.25mm/0.9mm/2.0mm/3.0mm fiber optic. Fiber optic can easily connect to control casing, and can directly connect to optical network unit. Dual-core and dual-side interface cable and outdoor fiber optic cable security system satisfy requirements of FTTH / FTTH; another jumper cable can be produced on field, which improves efficiency.

PRODUCT FEATURES

- Insertion loss of quick optical connector is less than 0.3dB, which is the smallest of this kind.
- Tensile strength is more than 20N, when wiring or stretching without human, normal tension does not affect usage, and the max tensile strength is more than 50N.
- Products in non-consecutive points and the matching fluid greatly reduce the cost of family consumption, and improve the quality of life.
- Do not need routine maintenance under water; users can clean the joint surfaces without engineers, which greatly reduce the cost of usage.
- Constructive, visible and detectable cutting problems reduce rework cost caused by the wear of cutting tool.



FBS12-1

SC quick optical connector

ORDER INFORMATION

Part number	Description	Inner box
FBS12-1	Single mode SC Quick optical connector	20pcs
FBM12-1	Multi mode SC Quick optical connector	20pcs

CABINET & ENCLOSURE



NCF NETWORK SERVER CABINET	51-52
NCB NETWORK SERVER CABINET , NCE NETWORK SERVER CABINET	53-58
COLD POOL SYSTEM FOR DATA CENTER	59-61
WCB WALL MOUNT CABINET , WCE WALL MOUNT CABINET	62
PDU	63
CABINET ACCESSORIES	64-66

NCF NETWORK SERVER CABINET

Part Number: NCF



STANDARD

Comply with ANSI/EIARS-310-D, DIN41491; PART1, IEC297-2, DIN41494; PART7 and GB/T3047.2-92 standard. Compatible with 19 inch international, Metric and ETSI standard.

FEATURES

- Surface finish: degreasing, pickling, phosphoric, water cleaning, electrostatic powder coating (thickness: 80µm-100µm). Comply with ROHS.
- Detachable curved perforated front door and double swing rear door enable equipment protection, reliable operation with ventilation rate above 80% .
- Modular installation design, easy to install on field, convenient to transport in flat package, and reduce freight cost.
- The side door is fluctuation two parts, each part is equipped with lock, can open separately, and easy to operation and maintenance.
- Top and bottom wiring channel can be closed.
- Multifunctional cable management board on both sides of the rear part.
- Marks on mounting bracket make it easy to install equipment.
- Efficient and solid cabinet connection.
- With drain wire.
- Advanced lock
- Optional plinth meets the requirement of cabinet fixation, bottom wiring, bottom ventilation and rat proof.
- Can install caster and support feet at the same time. Max static loading capacity: 1500kg.
- Full range of optional accessories.

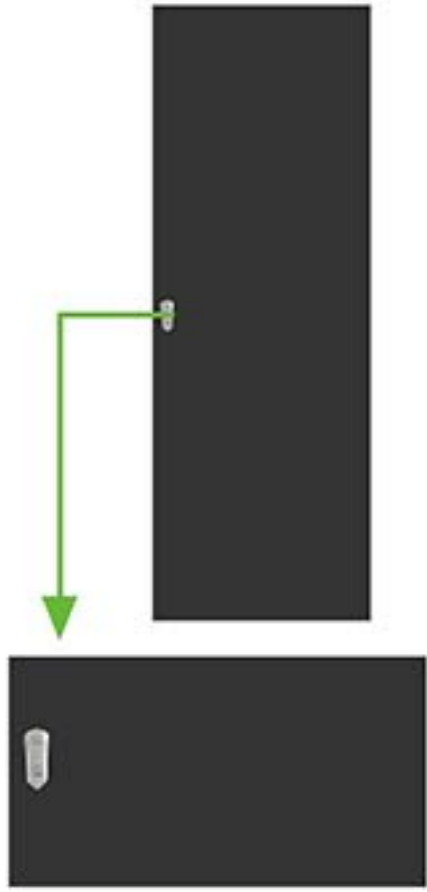
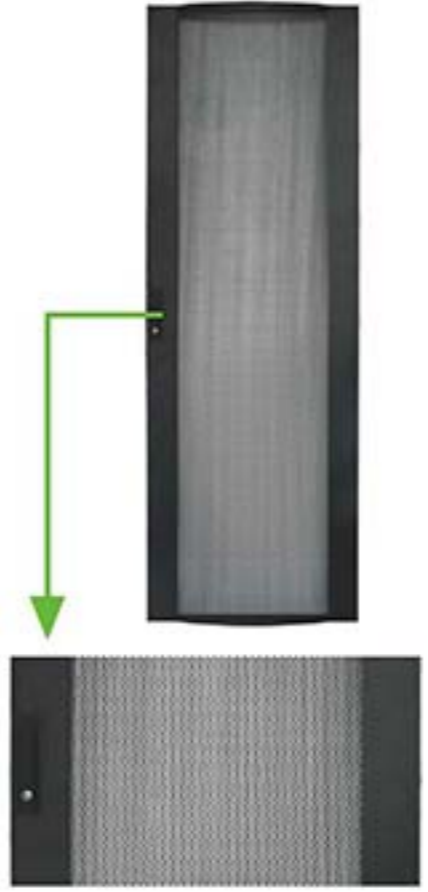

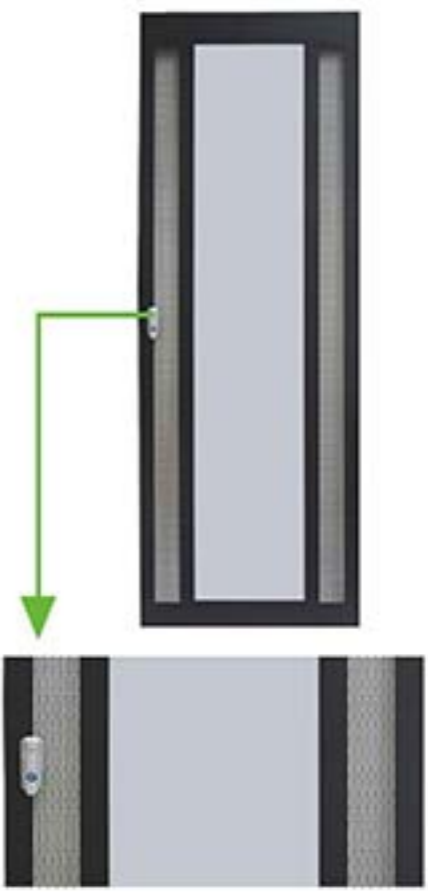
MATERIALS

Produced by cold-rolled steel. Frame thickness: 1.5mm, square strip thickness: 2.0mm, side door thickness: 1.2mm.

APPLICATION

Widely used in IT room of Finance, Securities and Data Center, and specially designed for server. Providing good performance and stable working environment for equipment in cabinet, and adopted by professional server suppliers, such as IBM, SUN, HP, COMPAQ, DELL, etc.

DOORS

A=Steel casement door	K=Curved perforation steel door	L=Double swing steel door(perforated)	N=Smoky-gray glass door with both sides punched
			

COLOR

☆ = Colors

A= Black (RAL9004)

B=Gray(RAL7044)

NCF CABINET

ORDER INFORMATION

Part No.	Capacity/U	Width/mm	Depth/mm	Height/mm		Carton measurement			Volume/CBM
						Width/M	Depth/M	Height/M	
NCF38-68-*#☆	38U	600	900	1855	1840	0.65	0.95	1.85	1.14
NCF38-610-*#☆		600	1100			0.65	1.15		1.38
NCF38-611-*#☆		600	1200			0.65	1.25		1.50
NCF38-612-*#☆		600	1300			0.65	1.35		1.62
NCF38-88-*#☆		800	900			0.85	0.95		1.49
NCF38-810-*#☆		800	1100			0.85	1.15		1.81
NCF38-811-*#☆		800	1200			0.85	1.25		1.97
NCF38-812-*#☆		800	1300			0.85	1.35		2.12
NCF42-68-*#☆	42U	600	900	2032	2017	0.65	0.95	2.04	1.26
NCF42-610-*#☆		600	1100			0.65	1.15		1.52
NCF42-611-*#☆		600	1200			0.65	1.25		1.66
NCF42-612-*#☆		600	1300			0.65	1.35		1.79
NCF42-88-*#☆		800	900			0.85	0.95		1.65
NCF42-810-*#☆		800	1100			0.85	1.15		1.99
NCF42-811-*#☆		800	1200			0.85	1.25		2.17
NCF42-812-*#☆		800	1300			0.85	1.35		2.34
NCF46-68-*#☆	46U	600	900	2210	2195	0.65	0.95	2.21	1.36
NCF46-610-*#☆		600	1100			0.65	1.15		1.65
NCF46-611-*#☆		600	1200			0.65	1.25		1.80
NCF46-612-*#☆		600	1300			0.65	1.35		1.94
NCF46-88-*#☆		800	900			0.85	0.95		1.78
NCF46-810-*#☆		800	1100			0.85	1.15		2.16
NCF46-811-*#☆		800	1200			0.85	1.25		2.35
NCF46-812-*#☆		800	1300			0.85	1.35		2.54

REMARKS

*=Front door #=Rear door

REMARKS

1pcs K front curved perforation steel door;
 1pcs L rear perforated double swing steel door;
 4pcs side doors,
 4pcs brackets,
 4pcs casters,
 40pcs screws and nuts.

NCB NETWORK SERVER CABINET

Part Number: NCB



Crescent lock



Asily assembled side panel



Symmetrical frame



Fixed shelf



Cooling fan



Bottom plate



Mouting rail with U mark



Rectangle venthole

STANDARD

Comply with ANSI/EIARS-310-D, DIN41491; PART1, IEC297-2, DIN41494; PART7 and GB/T3047.2-92 standard. Compatible with 19 inch international, Metric and ETSI standard.

MATERIALS

Produced by cold-rolled steel. Frame thickness: 1.2mm, square strip thickness: 2.0mm, shelf thickness: 1.2mm, side door thickness: 1.2mm, and thickness of smoky-gray stalinite 5.00mm.

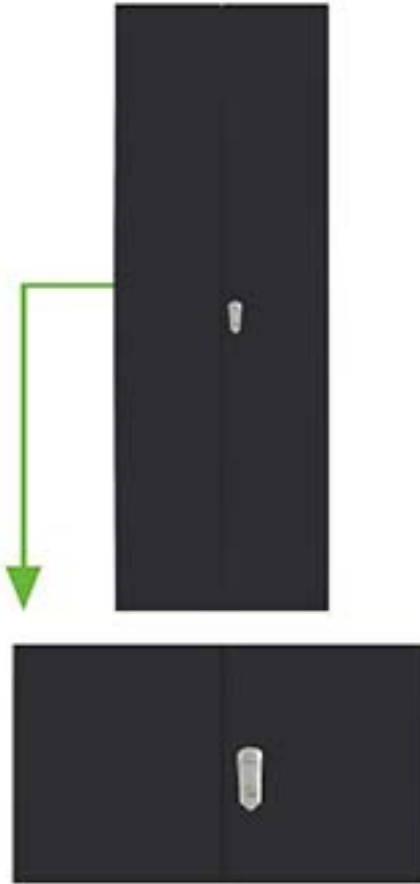
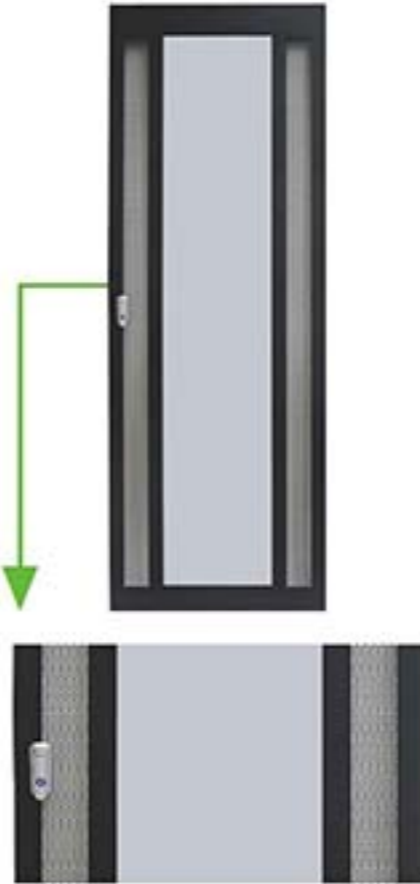
FEATURES

- Exquisite design reflects the ability of managing server.
- Can adapt to more servers with good compatibility. Perfect ventilation.
- Ventilated front door and rear door enable ventilation and reliable operation.
- Top and bottom wiring channel can be closed. The size of wiring hole on the bottom is adjustable. Equipped with ground screw.
- Optional plinth meets the requirement of cabinet fixation, bottom wiring, bottom ventilation and rat proof.
- Detachable doors ensure operation in all direction. Efficient and solid cabinet connection
- Can install castor and support feet at the same time. Max static loading capacity: 1000kg.
- High-class cabinet door lock with revolving handle
- Surface finish: degreasing, pickling, phosphoric, water cleaning, electrostatic powder coating (thickness: 80µm-100µm). Comply with ROHS.
- Colour: black or gray.
- Different height, width, depth and accessories are available.

APPLICATION

Widely used in machine room of Finance, Securities and Data Center, and specially designed for server. Can provide good performance and stable working environment for equipment in cabinet, and adopted by professional server suppliers, such as IBM, SUN, HP, COMPAQ, DELL, etc.

A=Steel casement door	B=Smoky-gray glass door	D=Perforation steel door	F=Double swing steel door (perforated)
			

J=Double swing steel door	N=Smoky-gray glass door with both sides punched
	

NCB NETWORK SERVER CABINET

STANDARD ACCESSORIES

S/N	Specification	Qty	Unit	Material	Surface finish	Remark
1	Top cover	1	Pcs	1.2mm cold rolled steel	Powder coated	---
2	Frame	2	Pcs	1.2mm cold rolled steel	Powder coated	---
3	Front door	1	Pcs	1.2mm cold rolled steel	Powder coated	B type door
4	Side door	2	Pcs	1.2mm cold rolled steel	Powder coated	With lock
5	Rear door	1	Pcs	1.2mm cold rolled steel	Powder coated	A type door
6	Lock	4	Pcs	---	---	---
7	Mounting rail	4	Pcs	1.2mm cold rolled steel	Powder coated	1.5mm for 66
8	Mounting angle	6	Pcs	1.2mm cold rolled steel	Powder coated	---
9	Bottom plate	1	Pcs	1.2mm cold rolled steel	Powder coated	---
10	Spacer	12	Pcs	---	---	Width 800mm
11	Fixed shelf	3	Pcs	1.2mm cold rolled steel	Powder coated	2pcs under 32U, 1pcs under 22U
12	Heavy duty castors	4	Pcs	---	---	---
13	Feet	4	Pcs	---	---	---
14	Cage and nuts	40	Pcs	---	---	20pcs under 32U
15	Fan	4	Pcs	---	---	2 fan for 600mm depth
16	6 way power strip	1	Pcs	---	---	---
17	Wrench	1	Pcs	---	---	---

NCB NETWORK SERVER CABINET

ORDER INFORMATION

Part No.	Capacity/U	Width/mm	Depth/mm	Height/mm	Carton measurement			Volume/CBM
					Width/M	Depth/M	Height/M	
NCB18-66-#☆	18U	600	600	988	0.63	0.63	1.02	0.40
NCB22-66-#☆	22U	600	600	1166	0.63	0.63	1.20	0.48
NCB22-68-#☆		600	800		0.63	0.68		0.63
NCB27-66-#☆	27U	600	600	1388	0.63	0.63	1.42	0.56
NCB32-66-#☆	32U	600	600	1610	0.63	0.63	1.64	0.65
NCB32-68-#☆		600	800		0.63	0.83		0.86
NCB37-66-#☆	37U	600	600	1833	0.63	0.63	1.86	0.74
NCB37-68-#☆		600	800		0.63	0.83		0.97
NCB37-610-#☆		600	1000		0.63	1.04		1.22
NCB37-88-#☆		800	800		0.83	0.83		1.28
NCB37-810-#☆		800	1000		0.83	1.04		1.61
NCB42-66-#☆	42U	600	600	2055	0.63	0.63	2.08	0.83
NCB42-68-#☆		600	800		0.63	0.83		1.09
NCB42-610-#☆		600	1000		0.63	1.04		1.36
NCB42-611-#☆		600	1100		0.63	1.14		1.49
NCB42-612-#☆		600	1200		0.63	1.24		1.62
NCB42-86-#☆		800	600		0.83	0.63		1.09
NCB42-88-#☆		800	800		0.83	0.83		1.43
NCB42-810-#☆		800	1000		0.83	1.04		1.80
NCB42-811-#☆		800	1100		0.83	1.14		1.96
NCB42-812-#☆		800	1200		0.83	1.24		2.14
NCB47-66-#☆		47U	600		600	2277		0.63
NCB47-68-#☆	600		800	0.63	0.83		1.20	
NCB47-610-#☆	600		1000	0.63	1.04		1.51	
NCB47-88-#☆	800		800	0.83	0.83		1.58	
NCB47-810-#☆	800		1000	0.83	1.04		1.99	

REMARKS

*=Front door #=Rear door

COLOR

☆ = Colors A= Black (RAL9004) B=Gray(RAL7044)



NCE NETWORK SERVER CABINET

Part Number: NCE



STANDARD

Comply with ANSI/EIARS-310-D, DIN41491; PART1, IEC297-2, DIN41494; PART7 and GB/T3047.2-92 standard. Compatible with 19 inch international, Metric and ETSI standard.

FEATURES

- Exquisite design reflects the ability of managing server.
- Can adapt to more servers with good compatibility. Perfect ventilation.
- Ventilated front door and rear door enable ventilation and reliable operation.
- Top and bottom wiring channel can be closed. The size of wiring hole on the bottom is adjustable. Equipped with ground screw.
- Optional plinth meets the requirement of cabinet fixation, bottom wiring, bottom ventilation and rat proof.
- Detachable doors ensure operation in all direction. Efficient and solid cabinet connection
- Can install castor and support feet at the same time. Max static loading capacity: 1000kg.
- High-class cabinet door lock with revolving handle
- Surface finish: degreasing, pickling, phosphoric, water cleaning, electrostatic powder coating (thickness: 80µm-100µm). Comply with ROHS.
- Colour: black or gray.
- Different height, width, depth and accessories are available.

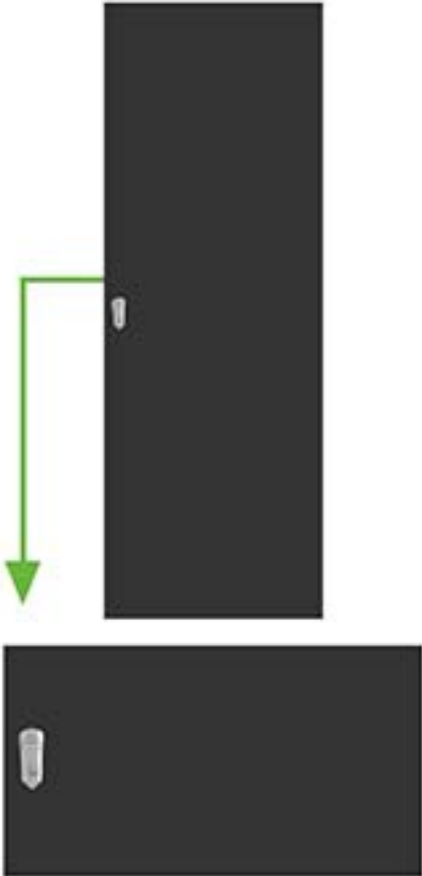
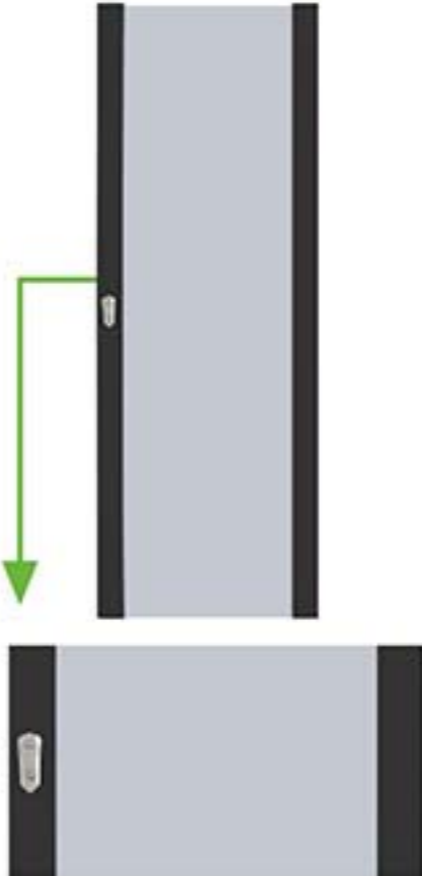


MATERIALS

Produced by cold-rolled steel. Frame thickness: 0.8mm, square strip thickness: 1.2mm, and transparent stannite thickness: 5.00mm.

APPLICATION

Widely used in machine room of Finance, Securities and Data Center, and specially designed for server. Can provide good performance and stable working environment for equipment in cabinet, and adopted by professional server suppliers, such as IBM, SUN, HP, COMPAQ, DELL, etc.

DOORS

A=Steel casement door	B=Smoky-gray glass door	D=Perforated steel door	F=Double swing steel door (perforated)
			

NCE NETWORK SERVER CABINET

ORDER INFORMATION

Part No.	Capacity/U	Width/mm	Depth/mm	Height/mm	Carton measurement			Volume/CBM
					Width/M	Depth/M	Height/M	
NCE18-66-#*☆	18U	600	600	988	0.63	0.63	1.02	0.40
NCE22-66-#*☆	22U		600	1166	0.63	0.63	1.20	0.48
NCE27-66-#*☆	27U		600	1388	0.63	0.63	1.42	0.56
NCE32-66-#*☆	32U		600	1610	0.63	0.63	1.64	0.65
NCE37-66-#*☆	37U		600	1833	0.63	0.63	1.86	0.74
NCE42-66-#*☆	42U		600	2055	0.63	0.63	2.08	0.83
NCE42-68-#*☆			800		0.63	0.83		1.08
NCE47-66-#*☆	47U		600	2277	0.63	0.63	2.30	0.91

REMARKS

*=Front door #=Rear door

COLOR

☆ = Colors A= Black (RAL9004) B=Gray(RAL7044)

CAT 8
SYSTEM PRODUCTS

CAT 6A
SYSTEM PRODUCTS

CAT 6
SYSTEM PRODUCTS

CAT 5E
SYSTEM PRODUCTS

TELECOMMUNICATION
SERIES

COPPER SOLUTION
PRODUCTS
ACCESSORIES

FIBER OPTIC
SOLUTION PRODUCTS

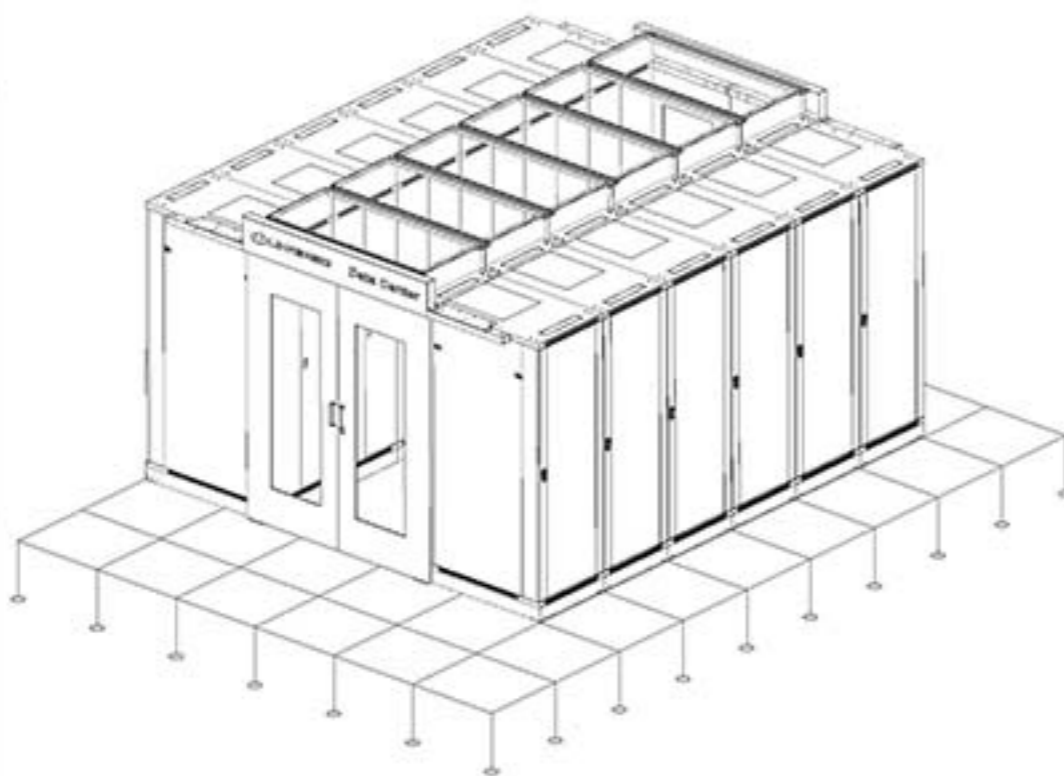
CABINET/ENCLOSURE

COLD POOL SYSTEM FOR DATA CENTER

Part Number: NCH



STRUCTURAL



STANDARD

Comply with ANSI/EIARS-310-D, DIN41491; PART1, IEC297-2, DIN41494; PART7 and GB/T3047.2-92 standard. Compatible with 19 inch international, Metric and ETSI standard.

FEATURES

- Surface finish: degreasing, pickling, phosphoric, water cleaning, electrostatic powder coating (thickness: 80 μ m-100 μ m). Comply with ROHS.
- Heavy duty nylon silent pulley and aluminum alloy hanger rail, which ensure the sliding door can be opened and closed easily. And the locks on sliding door make it convenient to manage the cold pool channel.
- Composite cold-rolled steel ensure good strength; the transparent stalinite in the middle of the door make it convenient to check the situation inside channel.
- The support beam on the top of cold pool channel is for placing stalinite. The thickness of the support beam is 1.5mm.

MATERIALS

Produced by cold-rolled steel. And adopting high quality heavy duty nylon silent pulley. Hanger rail beam thickness: 2.0 mm, support beam thickness: 1.5mm, sliding door thickness:1.2 mm.

APPLICATION

Widely used in IT room of Finance, Securities and Data Center.

COLD POOL SYSTEM FOR DATA CENTER

DOORS AND ROOF



P/N: NCH02-1213
Description: Auto sensor door



P/N: NCH02-1203
Description: Auto sensor door



P/N: NCH02-1202
Description: Push/Pull door



roof closed



roof opening

CAT 8
SYSTEM PRODUCTS

CAT 6A
SYSTEM PRODUCTS

CAT 6
SYSTEM PRODUCTS

CAT 5E
SYSTEM PRODUCTS

TELECOMMUNICATION
SERIES

COPPER SOLUTION
PRODUCTS
ACCESSORIES

FIBER OPTIC
SOLUTION PRODUCTS

CABINET/ENCLOSURE

COLD POOL SYSTEM FOR DATA CENTER

PRINCEPLE OF COLD POOL

PREVIOUS SITUATION OF SERVER ROOM

Total Energy Consumption: 100%
Air-container: 45%
Computer equipment: 30%
UPS: 18%
Others: 7%



PREVIOUS PROBLEMS OF SERVER ROOM

Local overheating in server room.
Large energy consumption
consumption rate: PUE>2.5

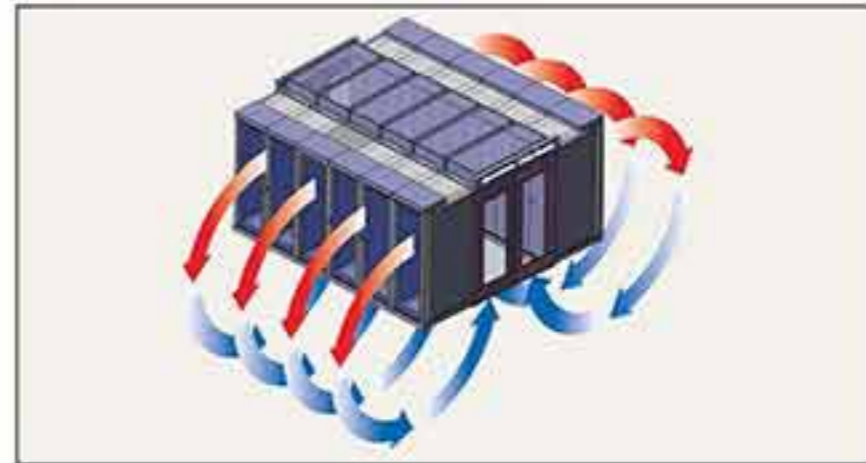
$$PUE = \frac{\text{Total energy consumption}}{\text{IT energy consumption}}$$

SECTION VIEW OF COLD POOL

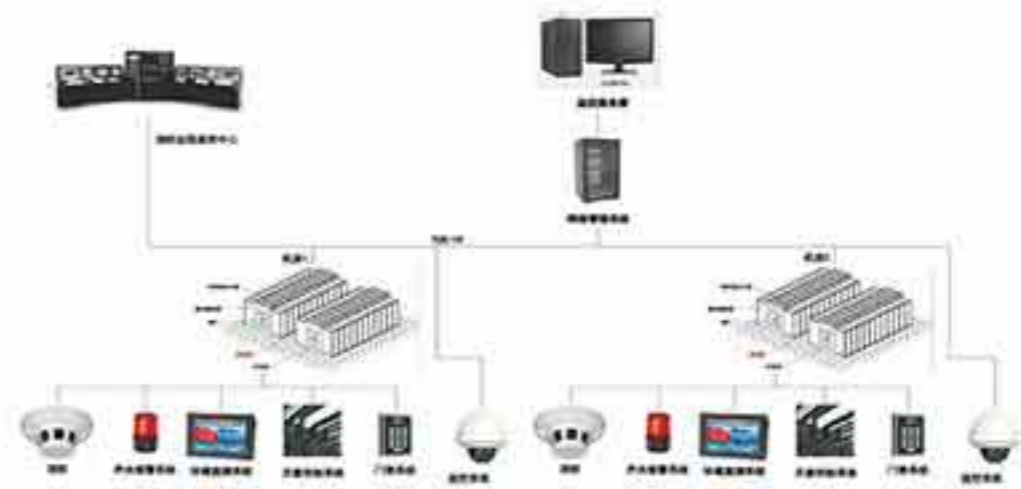


SCHEMATIC DIAGRAM OF COLD POOL

→ = Hot air → = Cold air



TOPOLOGICAL GRAPH OF COLD POOL IN DATA CENTER



COOLING SOLUTION FOR DATA CENTER

How to reduce energy waste? The cold air should be sufficient and should avoid exchanging with the effluent hot air as little as possible during equipment cooling. So the cold and heat channel should be separated, and the cold air in the cold channel will not exchange with the hot air before it entry into the IT equipment.

Cold Pool System is the best solution to reduce energy consumption of data center.

ORDER INFORMATION

Part No.	Name	Remark
NCH01-1201	Single roof by magnetic	Single way to open, with fire control, auto closed function, width of alley 1200mm
NCH01-1212	600mm Double flip roof	RAL9005 Black matte grain, fit for cabinet with width 600mm, width of alley 1200mm, double open, right angle type, with 12V magnetic lock, height of support plate 300mm, 5mm coated tempered glass, aluminium alloy flip window. fire control and automatic open
NCH01-1214	600mm Fixed glass roof	RAL9005 Black matte grain, fit for cabinet with width 300mm, width of alley 1200mm, middle position, right angle type, fixed glass roof, height of support plate 300mm, 5mm coated tempered glass, cold-rolled steel
NCH01-1215	600mm Functional roof	RAL9005 Black matte grain, fit for cabinet with width 600mm, width of alley 1200mm, column head and end position, right angle type, used for wiring between columns and installation of monitoring equipment, height of support plate 300mm, cold-rolled steel
NCH01-1216	600mm Single flip roof	RAL9005 Black matte grain, fit for cabinet with width 600mm, width of alley 1200mm, double open, right angle type, with 12V magnetic lock, height of support plate 300mm, 5mm coated tempered glass, aluminium alloy flip window. fire control and automatic open
NCH-LED-1200	LED Light	Suit for 1200mm width of alley's roof, measure the luminance 300 LUX 1.2m away from the light
NCH02-1213	Auto sensor double open door(double column)	RAL9005 Black matte grain, fit for cabinet with depth 1000mm-1200mm and height 2000mm-2200mm, width of alley 1200mm, 12mm coated tempered glass, with electric rail and safety infrared induction, reserved roof contact switch position, with door box
NCH02-1212	Double pulling door	RAL9005 Black matte grain, suit for height of cabinet 2000mm, width of alley 1200mm, 19mm hollow glass, manual open door, with doorknob, built-in hidden automatic door closers, reserved roof contact switch position
NCH-MJ01	Access control system	With magnetic door lock, access control machine(IC card and password)
NCH04-01	Contact cabinet	Control roof with fire control

WCB AND WCE WALL MOUNT CABINET

Part Number: WCB



Part Number: WCE



STANDARD

Comply with ANSI/EIARS-310-D, DIN41491; PART1, IEC297-2, DIN41494; PART7 and GB/T3047.2-92 standard. Compatible with 19 inch international, Metric and ETSI standard.

FEATURES

- Exquisite design and workmanship, and precise dimension increase the value of the projects.
- International popular smoky-gray stalinite front door.
- Easy to mount on wall, or put on floor with caster or feet.
- Loading capacity: 60kg.
- Top and bottom wiring channel could be closed.
- Detachable doors ensure operation in all direction.
- Surface finish: degreasing, pickling, phosphoric, water cleaning, and electrostatic powder coating .
- Comply with ROHS.
- Color: black or gray.
- Different accessories are available.

Part Number: WCC



MATERIALS

Produced by cold-rolled steel. Thickness of standard B-type square strip: 1.5 mm, other thickness: 1.2mm; Thickness of standard E-type square strip: 1.2mm, other thickness: 0.8 mm; smoky gray stalinite thickness: 5.00mm.

ORDER INFORMATION

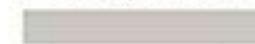
Part No.	Capacity /U	Width/mm	Depth/mm	Height/mm	Carton measurement			Volume/CBM
					Width/M	Depth/M	Height/M	
WCB06-645-*#☆	6U	600	450	368	0.67	0.52	0.43	0.15
WCB09-645-*#☆	9U	600	450	501	0.67	0.52	0.56	0.20
WCB12-645-*#☆	12U	600	450	635	0.67	0.52	0.70	0.24
WCB15-645-*#☆	15U	600	450	769	0.67	0.52	0.83	0.29
WCB06-66-*#☆	6U	600	600	368	0.67	0.67	0.43	0.19
WCB09-66-*#☆	9U	600	600	501	0.67	0.67	0.56	0.25
WCB12-66-*#☆	12U	600	600	635	0.67	0.67	0.70	0.31
WCB15-66-*#☆	15U	600	600	769	0.67	0.67	0.83	0.37
WCE06-645-*#☆	6U	600	450	368	0.67	0.52	0.43	0.15
WCE09-645-*#☆	9U	600	450	501	0.67	0.52	0.56	0.20
WCE12-645-*#☆	12U	600	450	635	0.67	0.52	0.70	0.24
WCE06-66-*#☆	6U	600	600	368	0.67	0.67	0.43	0.19
WCE09-66-*#☆	9U	600	600	501	0.67	0.67	0.56	0.25
WCE12-66-*#☆	12U	600	600	635	0.67	0.67	0.70	0.31

REMARKS

*=Front door #=Rear door

COLOR

☆ = Colors A= Black (RAL9004) B=Gray(RAL7044)



POWER DISTRIBUTION UNIT

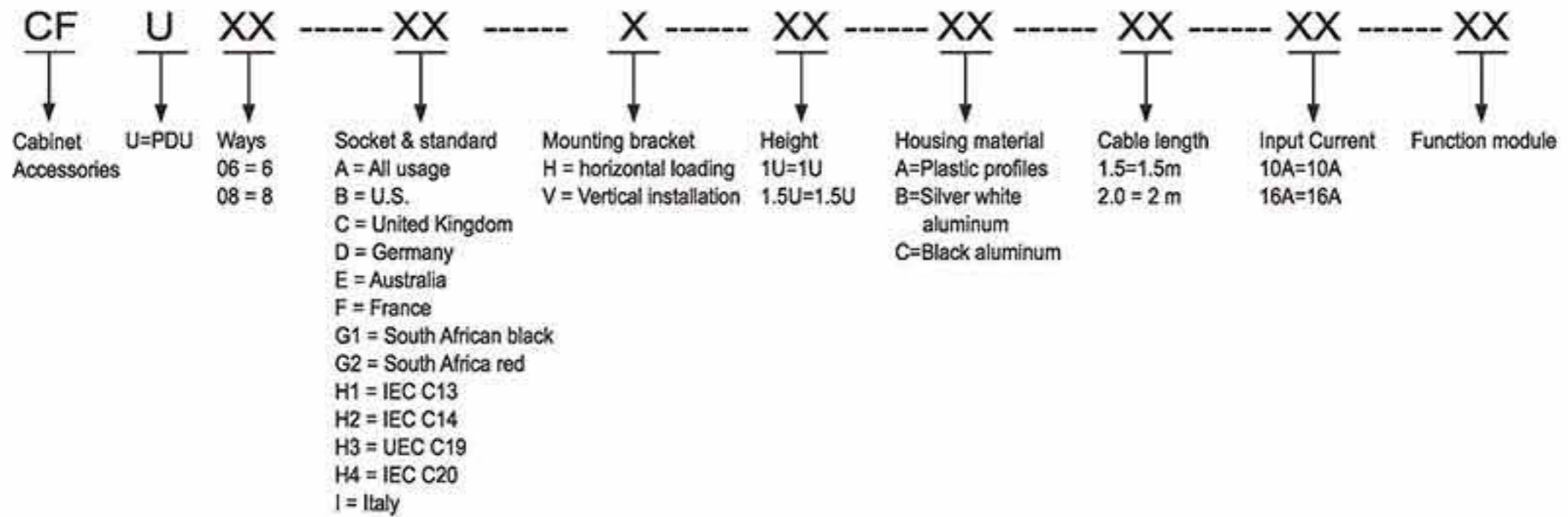
STANDARD

- All PDU adopt multi-functional modular structure. It meets international standard, and consists of different function module, such as power socket modules, control function module, protection function module, surge protection module, channel surge protection module, digital AC ammeter module, leakage protection module, etc.
- Specially matched standard cabinet, non-standard cabinet, and electronic & electric equipment in high-tech fields. Modular multi-functional power distribution unit with new structure and advanced international technology is reliable, easy to install, and widely used.






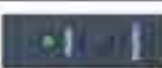





6 way universal PDU unit, horizontal 1U, 2m cable, 10A

TYPE DESCRIPTION



ORDER INFORMATION

Part No.	Description	Inner package
CFU06-A1-H1U-B-2.0-10A	6 way universal PDU unit, horizontal 1U, 2m cable, 10A	1pcs
CFU06-A2-H1U-B-2.0-10A	6 way CN PDU unit, horizontal 1U, 2m cable, 10A	1pcs
CFU06-H1-H1U-B-2.0-10A	6 way IEC C13 PDU unit, horizontal 1U, 2m cable, 10A	1pcs
CFU06-A1-H1.5U-B-2.0-10A	6 way universal PDU unit, horizontal 1.5U, 2m cable, 10A	1pcs
CFU06-A2-H1.5U-B-2.0-10A	6 way CN PDU unit, horizontal 1.5U, 2m cable, 10A	1pcs
CFU06-A2-H1.5U-B-2.0-16A	6 way universal PDU unit, horizontal 1.5U, 2m cable, 16A	1pcs
CFU06-H1-H1.5U-B-2.0-10A	6 way IEC C13 PDU unit, horizontal 1.5U, 2m cable, 10A	1pcs
CFU10-A1-V1.5U-B-2.0-10A	10 way universal PDU unit, vertical 1.5U, 2m cable, 10A	1pcs
CFU10-A1-V1.5U-B-2.0-16A	10 way universal PDU unit, vertical 1.5U, 2m cable, 16A	1pcs
CFU10-A2-V1.5U-B-2.0-10A	10 way CN PDU unit, vertical 1.5U, 2m cable, 10A	1pcs
CFU10-A2-V1.5U-B-2.0-16A	10 way CN PDU unit, vertical 1.5U, 2m cable, 16A	1pcs

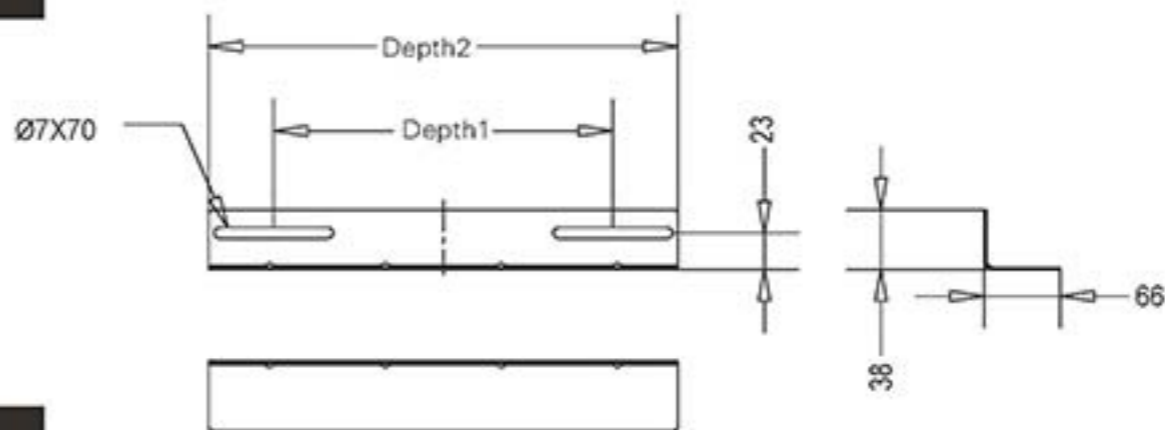
Part No.	Description	Module
CFU00-A	Master switch with light	
CFU00-B	Single power indicator	
CFU00-C1	Surge protection II	
CFU00-C2	Surge protection II	
CFU00-C3	Surge protection IV	
CFU00-D	Overload protection	
CFU00-E1	Air circuit breaker 16A	
CFU00-E2	Air circuit breaker 32A	
CFU00-E3	Air circuit breaker 64A	
CFU00-F	Leakage protection	
CFU00-G1	LED display current and voltage	
CFU00-G2	Digital display current and voltage	
CFU00-H1	Industrial plug 16A	
CFU00-H2	Industrial plug 32A	

ACCESSORIES

L RAIL

FEATURES

- Material: cold-rolled steel. Thickness of CFA45 : 1.2mm, thickness of other parts: 2.0mm.
- Color: black or gray.
- Features: adjustable mounting distance.
- Surface finish: degreasing, phosphoric, powder coating.
- Installation method: fixed by square nuts and screws.
- Installation position: level fixed on the square strip.
- Application: placing standard 19" equipment.



ORDER INFORMATION

Part No.	Description	Depth 1/mm	Depth 2/mm	Application
CFA45-1.2-*	L rail-45	275	175	19", 450mm depth cabinet
CFA60-2.0-*	L rail-60	350	250	19", 600mm depth cabinet
CFA80-2.0-*	L rail-80	550	450	19", 800mm depth cabinet
CFA100-2.0-*	L rail-100	700	600	19", 1000mm depth cabinet
CFA120-2.0-*	L rail-120	850	750	19", 1200mm depth cabinet



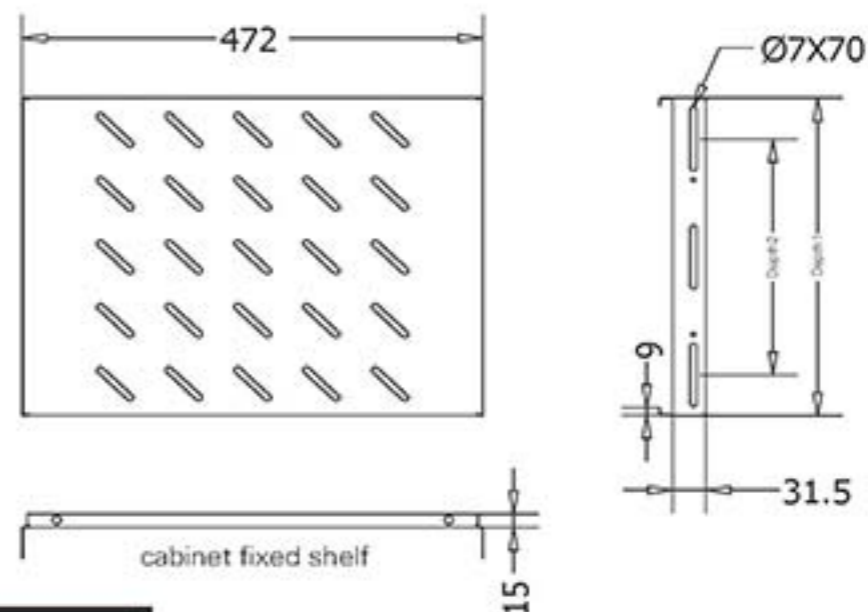
COLOR

☆ = Colors A= Black (RAL9004) B=Gray(RAL7044)

FIXED SHELF

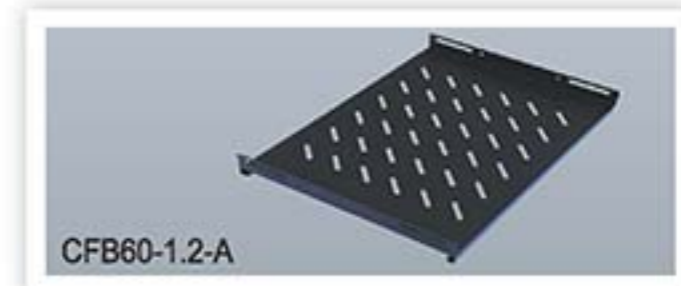
FEATURES

- Materials: cold-rolled steel.
- Loading capacity: 60kg (thickness:1.2mm)
- Color: black or gray
- Features: adjustable mounting distance, and uniform distributed ventilation hole.
- Surface finish: degreasing, phosphoric and powder coating
- Installation method: fixed by square nuts and screws.
- Installation position: level fixed on the square strip.
- Application: placing peripheral equipment and terminal equipment, such as hosts, monitor, etc (width: 600mm).



ORDER INFORMATION

Part No.	Description	Depth 1/mm	Depth 2/mm	Application
CFB45-1.2-*	Fixed shelf-45	275	195	19", 450mm depth cabinet
CFB60-1.2-*	Fixed shelf-60	350	270	19", 600mm depth cabinet
CFB80-1.2-*	Fixed shelf-80	550	470	19", 800mm depth cabinet
CFB100-1.2-*	Fixed shelf-100	700	620	19", 1000mm depth cabinet
CFB120-1.2-*	Fixed shelf-120	850	770	19", 1200mm depth cabinet



COLOR

☆ = Colors A= Black (RAL9004) B=Gray(RAL7044)

ACCESSORIES

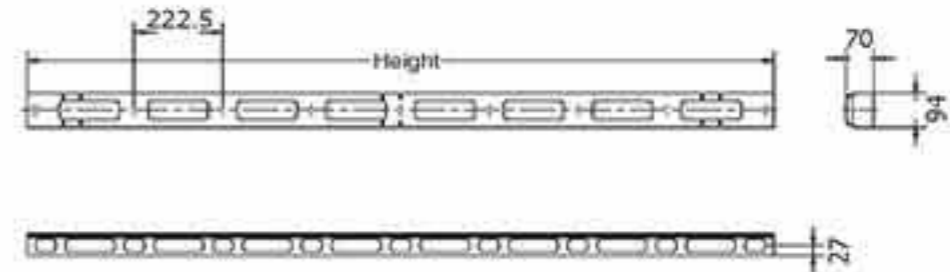
METAL VERTICAL CABLE MANAGEMENT

FEATURES

- Materials: cold-rolled steel (thickness: 1.2mm).
- Color: black or gray.
- Produced by cold rolled steel, adopting once punching process, convenient for disassembling and mounting.
- Dimension: width: 60mm, depth: 95mm.

ORDER INFORMATION

Part No.	Description	Depth /mm	Application
CFK01-32-*	Metal Vertical cable management	1424.5	19", 32U cabinet
CFK01-37-*	Metal Vertical cable management	1646.8	19", 37U cabinet
CFK01-42-*	Metal Vertical cable management	1869	19", 42U cabinet
CFK01-47-*	Metal Vertical cable management	2092.3	19", 47U cabinet



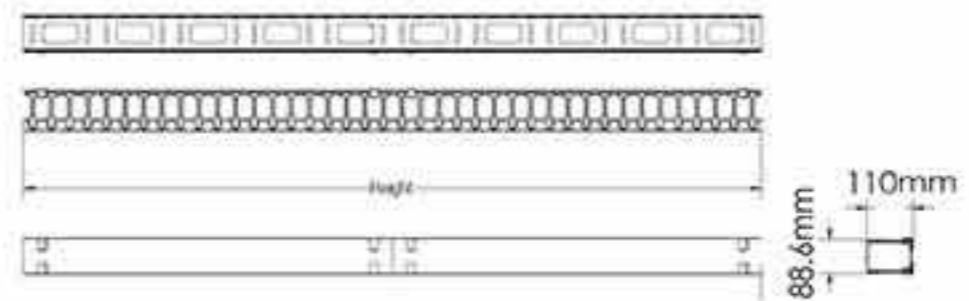
ABS VERTICAL CABLE MANAGEMENT

FEATURES

- Materials: cold-rolled steel (thickness: 1.2mm) and ABS engineering plastic
- Color: black
- Structure: patented product with independent design.
- The mounting plate can be opened to both sides.
- The perfect combination of metal and plastic.
- Feature: accomplish a clean and beautiful cabling system with flexible, effective and safe cable management.
- Dimension: width: 60mm, depth: 95mm

ORDER INFORMATION

Part No.	Description	Depth /mm	Application
CFK02-32-*	ABS Vertical cable management	1424.5	19", 32U cabinet
CFK02-37-*	ABS Vertical cable management	1646.8	19", 37U cabinet
CFK02-42-*	ABS Vertical cable management	1869	19", 42U cabinet
CFK02-47-*	ABS Vertical cable management	2092.3	19", 47U cabinet



DIGITAL TEMPERATURE UNIT

STANDARD

Reliable and intelligent industrial temperature control instrumentation.



ORDER INFORMATION

Part No.	Description	Depth /mm	Application
CFY60	Digital temperature unit	1pcs	10pcs

FEATURES

- Power supply: 85-265VAC
- Sensor: International 50Ω copper resistance
- Measurement range: -20°C —80°C
- Measurement accuracy: 1.0level (±1.0%F±1)
- Sampling rate: twice /second
- Output mode: two groups of relay contact (master and alarm)
- The differential gap of master relay is adjustable.
- Wire break alarm of sensor.
- Power consumption: ≤ 5W
- Environmental temperature: -10°C ~50°C

ACCESSORIES

CANTILEVER SLAB

FEATURES

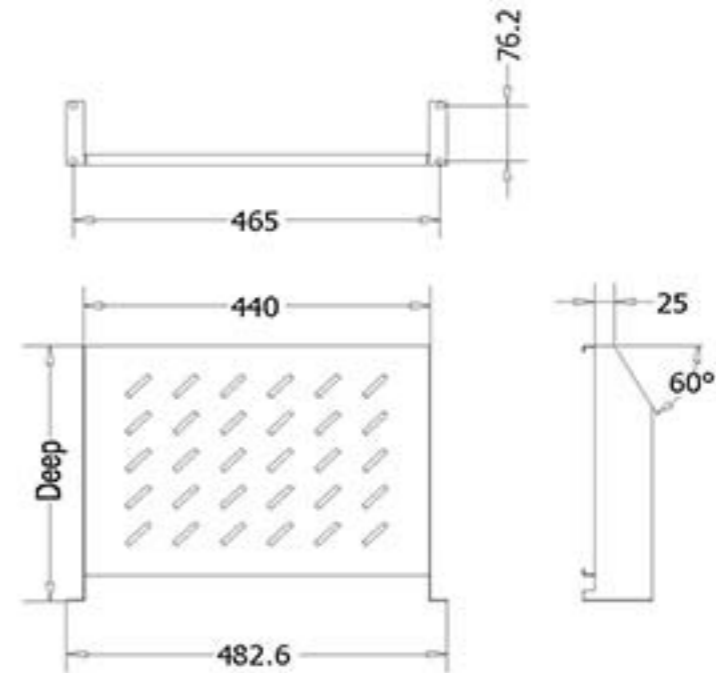
- Materials: cold-rolled steel (thickness:1.2mm) .
- Color: black or gray.
- Features: Light weight, and uniform distributed ventilation hole.
- Surface finish: degreasing, phosphoric, powder coating.
- Installation method: fixed by square nuts and screws.
- Installation position: level fixed on cabinet or square strip of frame.
- Application: Placing hosts, monitor and equipment without 19" Standard mounting hole.

ORDER INFORMATION

Part No.	Description	Depth 1/mm	Application
CFF60-*	Cantilever Slab-60	300.5	19", 600mm depth cabinet
CFF80-*	Cantilever Slab-80	351.3	19", 800mm depth cabinet
CFF90-*	Cantilever Slab-90	402.1	19", 900mm depth cabinet
CFF100-*	Cantilever Slab-100	452.9	19", 1000mm depth cabinet

COLOR

☆ = Colors A= Black (RAL9004) B=Gray(RAL7044)



CASTOR

FEATURES

- Loading capacity: single 150kg (CFN02-1) , single 240kg (CFN02-2).
- Castor: Wheel made from good quality nylon compound.
- Features: free rotating, heavy loading
- Mounting position: on the bottom of cabinet. Applications: moving cabinet easily to any direction.

ORDER INFORMATION

Part No.	Description
CFN02-2-1	Heavy load feet
CFN02-2-2	Heavy load feet



CAT 8
SYSTEM PRODUCTS

CAT 6A
SYSTEM PRODUCTS

CAT 6
SYSTEM PRODUCTS

CAT 5E
SYSTEM PRODUCTS

TELECOMMUNICATION
SERIES

COPPER SOLUTION
PRODUCTS
ACCESSORIES

FIBER OPTIC
SOLUTION PRODUCTS

CABINET/ENCLOSURE

CAT 8 SYSTEM
PRODUCTS

CAT 6A
SYSTEM PRODUCTS

CAT 6
SYSTEM PRODUCTS

CAT 5E
SYSTEM PRODUCTS

TELECOMMUNICATION
SERIES

COPPER SOLUTION
PRODUCTS
ACCESSORIES

FIBER OPTIC
SOLUTION PRODUCTS

CABINET&ENCLOSURE

Contact us

Ningbo Linkbasic Information Technology CO.,LTD

Mailing address:

NO.19 Binhai 3rd Road, Hangzhou Bay New Zone, Ningbo, Zhejiang.

Zip code:

315336

Products sales information

Sales Manager

Will Tsen

TEL: +86-574-82355077

+86-574-82355085

E-mail: sale5@linkbasic.com

WWW.LINKBASIC.COM